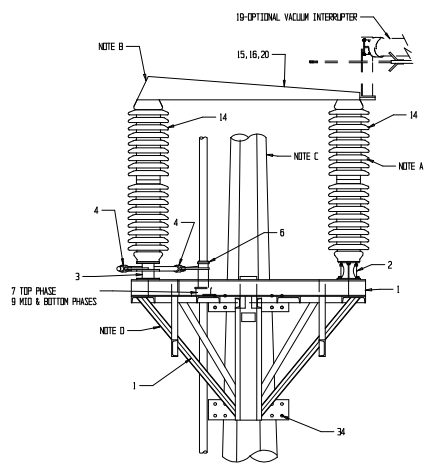


SECTION: B-B

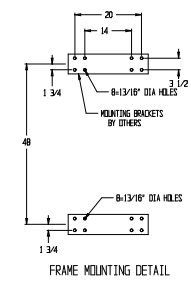


SECTION: A-A

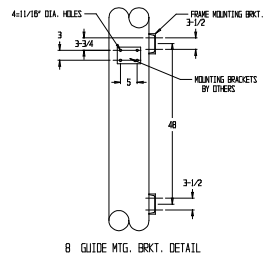
FOR SET-UP AND INSTALLATION INSTRUCTIONS SEE *INSTALLATION INSTRUCTIONS FOR TURNER ELECTRIC CORP. (TECO) SIDE-BREAK SWITCHES 1-WAY 2-WAY 3-WAY TYPE D, AD, CD

QTY	PART	MATERIAL	ITEM	DESCRIPTION
3	0001300	GALV	35	OPER. PIPE 2" SCH 80 x 3'-6"
3	0001300	GALV	34	OPER. PIPE 2" SCH 80 x 12'-0"
1	48277	GALV	31	IF-ARM ASSY
48	-	GALV	32	3/4" x 1/2 BULKY
32	-	GALV	31	5/8" x 2 BULKY
1	000210	GALV	30	5" PIPE SPKER
3	5142	ALUM	29	SPACER
3	7305	BRONZE	28	BLADE CAP
3	7292	COPPER	27	BLADE TIP 1200 AMP
3	5254	COPPER	26	CONTACT JAW 1200 AMP
3	2626	COPPER	25	PIVOT CAP
3	2530	BRASS	24	ARCING SPRING LATCH
3	2535	BRASS	23	ARCING SPRING YOKE
3	2534	BRASS	22	ARC HORN CLAMP
3	6176	BRONZE	21	ARCING HORN SPRING
3	1827	GALV	20	CONTACT MOUNTING PREDESTAL
3	7272	-	19	TECO INTERRUPTER (OPTIONAL) LOOP SPLITTING ONLY
1	48265	-	18	30" MANUAL HANDLE OPERATOR
1	3880-48265	-	17	HANDLE MTS BRKT AND LOCKING PLATE
3	48276	COPPER	16	JAW ASSY. 115 KV 1200 A RH
3	48268	COPPER	15	BLADE ASSY. 115 KV 1200 A RH
3	-	-	14	INSULATOR 115 KV 1200 A
3	003880	ALUM	13	PIPE GLIDE MOUNTING PLATE
3	0001300	GALV	12	OPER. PIPE 2" SCH 80 x 21'-0"
3	48275	GALV	11	PIPE CLAMPING 2" OPS WITH PERKING SET SCREWS
3	48269	-	10	PIPE GLIDE ASSY.
2	0014144A	ALUM	9	PHASE GLIDE TOP
3	005147	GALV	8	GLIDE MTS BRKT
1	48247	-	7	THRUST BEARING ASSY
3	48275	GALV	6	7" PIPE LEVER ASSY.
3	0001300	GALV	5	REAR HUB 1" SCH 80 x 9'-0"
6	48253	GALV	4	1" CLAMP ASSY. 3 WITH SET SCREWS
3	48241	ALUM	3	PIVOT ASSY. (4828 RH & LH)
3	0017003D	GALV	2	INSULATOR PREDESTAL
3	48282	ALUM	1	100-115 STEEL POLE FRAME ASSY.

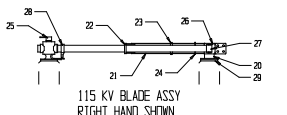
THESE ITEMS IN BLADE/JAW ASSY



FRAME MOUNTING DETAIL



B GUIDE MTS. BRKT. DETAIL

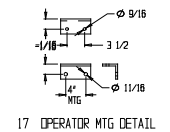


115 KV BLADE ASSY RIGHT HAND SHOWN

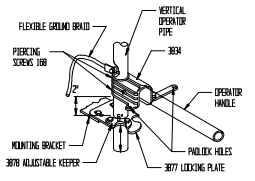
NOTES: A-STANDARD NEMA STATION POST INSULATORS ON A 5" BELT CIRCLE
 B-STANDARD NEMA FOUR HOLE PAD, 1 3/4" SPACING
 C-STEEL POLE MOUNTING
 D-ALL WELDED FRAMES ARE FABRICATED FROM STRUCTURAL ALUMINUM 6061-T6
 E-MINIMUM AIR GAPS ASSUME 12" DIA. POLE HORIZONTAL-W/O INTERRUPTER=3'-0" MIN. W/ INTERRUPTER=3'-6" MIN.
 VERTICAL-W/O INTERRUPTER=3'-0" MIN. W/ INTERRUPTER=3'-6" MIN.
 F-INSULATOR DRY ARC=30"



10, 13 PIPE GLIDE ASSY



17 OPERATOR MTS DETAIL



17 18 OPERATOR HANDLE DETAIL

