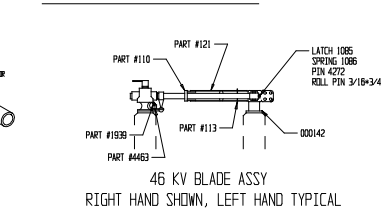
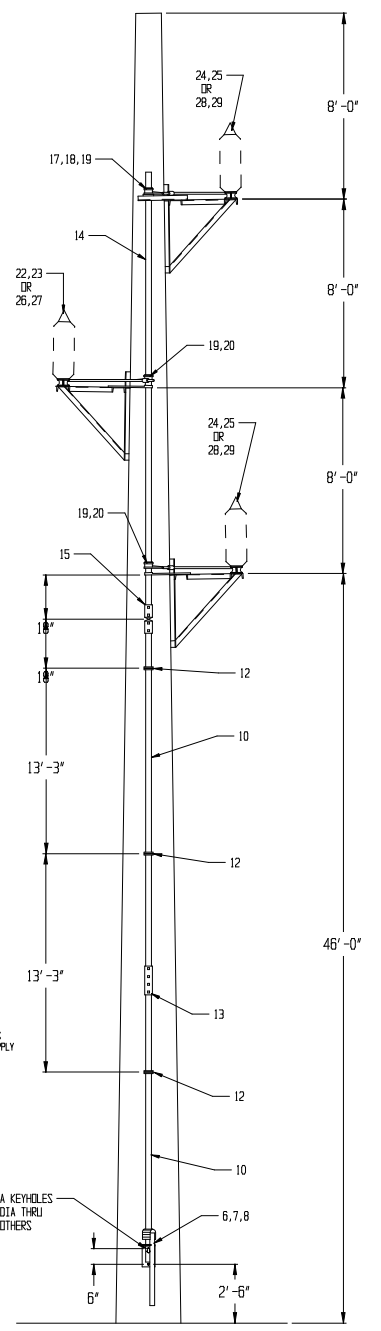
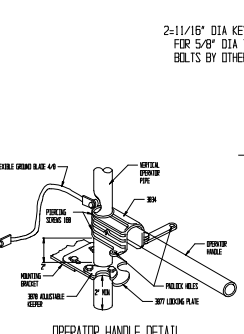
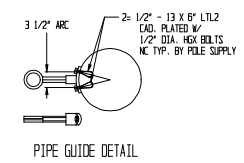


MIDDLE PHASE SHOWN

QTY	DESCRIPTION	MATERIAL	ITEM
-	INTERPAPER (OPTIONAL)		30
2	46KV 1200AMP LH JAW ASSY		29
2	46KV 1200AMP LH BLADE ASSY		28
1	46KV 1200AMP RH JAW ASSY		27
1	46KV 1200AMP RH BLADE ASSY		26
-	46KV 1200AMP LH JAW ASSY		25
-	46KV 1200AMP LH BLADE ASSY		24
-	46KV 1200AMP RH JAW ASSY		23
-	46KV 1200AMP RH BLADE ASSY		22
16	INSULATOR		21
2	PHASE GUIDE ASSY	ALUM	20
3	PIPE LEVER ASSY	ALUM	19
1	THRUST BEARING ASSY		18
1	THRUST BEARING W/5 BRKT.		17
-	OPER. PIPE SCMD # 5'-0"		16
1	PIPE - PIPE 1/2" DIA		15
1	2" IPS VERT. OPER. PIPE SCMD # 19'-0"		14
1	2" PIPE CLAMP		13
3	PIPE GUIDE ASSY	ALUM	12
-			11
2	2" IPS VERT. OPER. PIPE SCMD # 21'-0"		10
-			9
1	OPERATOR HANDLE ASSY	GALV	8
1	LOCKING PLATE ASSY	ALUM	7
1	OPERATOR W/5 BRKT.	ALUM	6
3	3/4" RECH RED SCMD # 5'-0"		5
16	3/4" CLASD ASSY		4
3	PIVOT ASSY - 1 LEVER (1 x 421) (2 x 483)	ALUM	3
3	INSULATOR FEESTAL		2
3	1/2" 46 CON. PILE FRAME ASSY	ALUM	1



DRAWING # **SK960826**
 SHEET 1 OF 1
 BY: **WSD** DATE: **12-28-95**
 APP'D BY: **X** DATE: **X**
 TURNER ELECTRIC CORPORATION
 FAIRVIEW HEIGHTS, ILL., USA
 1CDT-46-6/12 C.P. MOUNTING
 W/ OPTIONAL TECO-FLUPTER