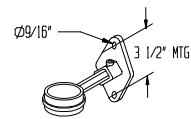
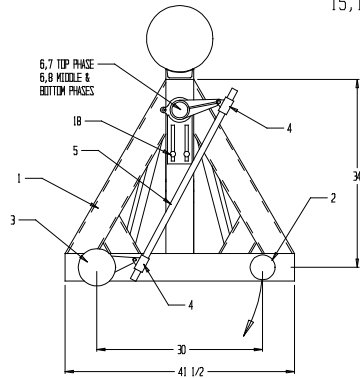
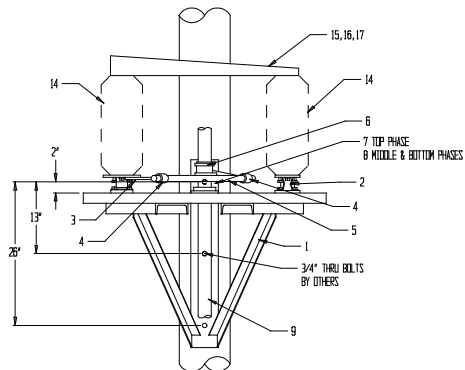


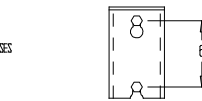
15,16,17 46KV BLADE/JAW ASSY



11 PIPE GUIDE ASSY

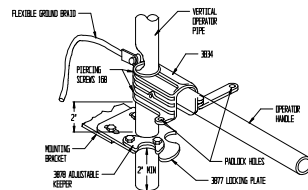


MIDDLE PHASE SHOWN

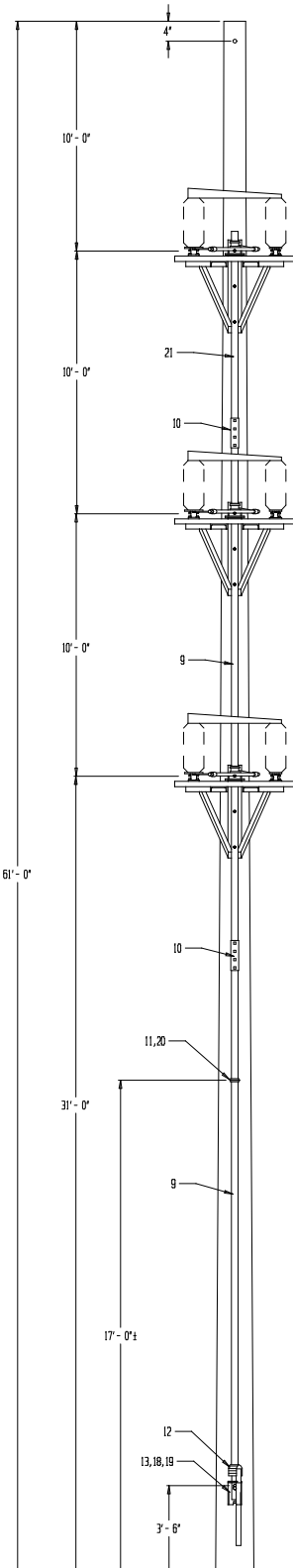


13 OPERATOR MOUNTING BRACKET DETAIL

QTY	PART #	MATERIAL	ITEM	DESCRIPTION
-	-	-	24	-
-	-	-	23	-
1	0001300	GALV	21	2" IPS SCH 40 PIPE # 7' - 0"
2	-	GALV	20	1/2" THRU-BOLT BY OTHERS
8	-	GALV	19	5/8" THRU-BOLT BY OTHERS
3	000142000G	GALV	18	CARBIDE BELT 1/2"-13 X 1 1/2" ALUM
3	000142000G	GALV	17	JAW MOUNTING PEDESTAL
3	000142000G	GALV	16	JAW ASSY 46KV 1200A R.H.
3	000142000G	GALV	15	BLADE ASSY 46KV 1200A R.H.
6	-	-	14	INSULATOR
1	000142000G	GALV	13	OPERATOR MOUNTING BRACKET ASSY 10D
1	000142000G	GALV	12	OPERATING HANDLE ASSY
1	000142000G	GALV	11	PIPE GUIDE ASSY
2	000142000G	GALV	10	PIPE CLAMPING ASSY 2" IPS
2	000142000G	GALV	9	2" IPS SCH 40 PIPE # 21' - 0"
2	00022014X	ALUM	8	PHASE GUIDE
1	00022014X	ALUM	7	THRUST BEARING ASSY W/1463
3	00022014X	ALUM	6	PIPE LEVER ASSY
3	00022014X	ALUM	5	3/4" IPS SCH 40 PIPE # 3' - 0"
6	00022014X	GALV	4	CLIP ASSY 3/4" IPS
3	00022014X	ALUM	3	PIVOT ASSY 1 LEVER (483)
3	00022014X	GALV	2	INSULATOR PEDESTAL
3	-	ALUM	1	100F-46 FRAME ASSY



12-OPERATOR HANDLE DETAIL



QUANTITY PART MATERIAL ITEM DESCRIPTION  
 TO: \_\_\_\_\_  
 CUSTOMER P.O.# \_\_\_\_\_ SERIAL NUMBER: \_\_\_\_\_  
 REVIZING DATE BY MARK 46\_VY 1200\_MP  
 100F04612/ FRONT OPER. CONTROL MECHANISM  
 DRAWING # SK950317 DATE 3-25-95  
 SHEET 1 OF 1 APP'D BY DATE  
 TURNER ELECTRIC CORPORATION  
 FAIRVIEW HEIGHTS, ILL., USA