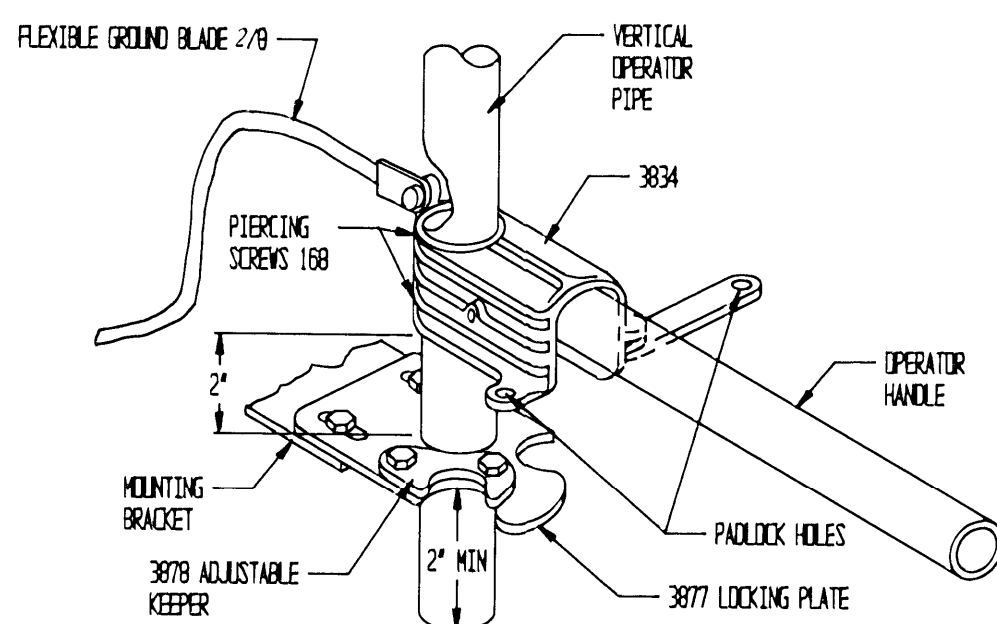
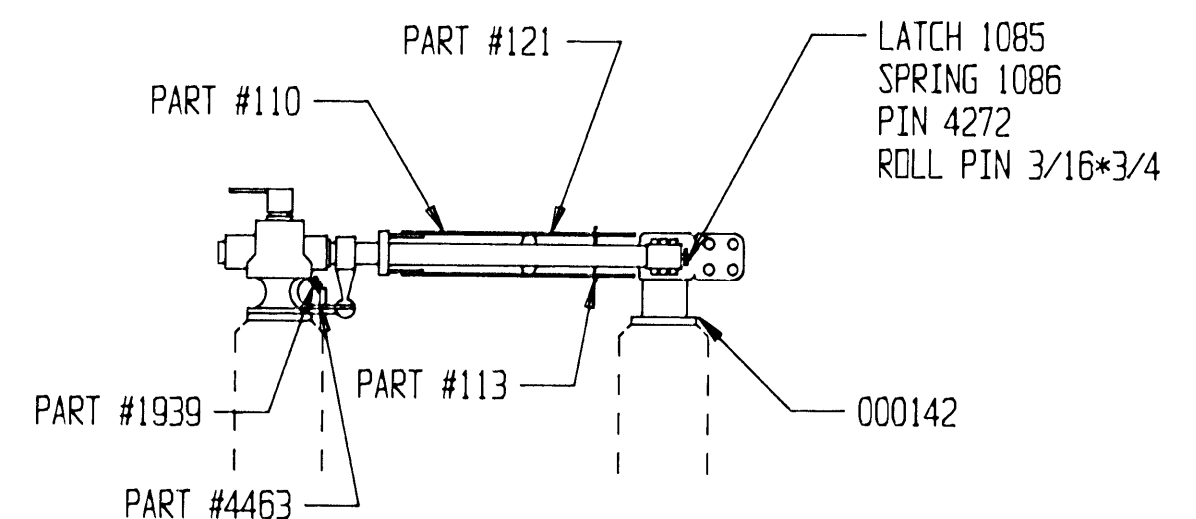


⑫ PIPE GUIDE ASSY



⑧ OPERATOR HANDLE DETAIL



⑲, ⑳ 15 KV BLADE ASSY
RIGHT HAND SHOWN, LEFT HAND TYPICAL

QUANTITY	PART	MATERIAL	ITEM	DESCRIPTION
-	-		26	-
-	-		25	-
8		GALV	24	CARRIAGE BOLT 1/2"-13 x 1 1/2"
4		GALV	23	1/2" X 4" LAG
2		GALV	22	5/8" X 5" LAG
3	8189		21	015T1TN/4719RHB RUPTER ASSY (OPT'L)
3	A9516		20	15KV 600 AMP RH JAW ASSY
3	A9500		19	15KV 600 AMP RH BLADE W/O JAW
6			18	INSULATORS TR214
2	A9250	ALUM	17	PHASE GUIDE ASSY.
3	A9255		16	PIPE LEVER ASSY
1	A9248		15	T-B ASSY
1	A9277	GALV	14	2" PIPE TO PIPE U-JOINT
1	A9259	GALV	13	2" PIPE COUPLING
2	A9257		12	PIPE GUIDE ASSY (FIELD CUT IF REQ'D)
1	RM301380	ALUM	11	2" IPS VERT. PIPE SCH40 @ 10'-0"
1	RM301380	GALV	10	2" IPS VERT PIPE SCH40 @ 9'-0"
1	RM301380		9	2" IPS VERT. PIPE SCH40 @ 21'-0"
1	A9264	GALV	8	MANUAL HANDLE OPER
1	A9269	ALUM	7	LOCKING PLATE ASSY
1	003879	ALUM	6	OPER MTG BRKT
3	RM301280	GALV	5	REACH ROD 3/4" SCH40 @ 42"
6	A9252	GALV	4	3/4" CLEVIS ASSY
3	A9233	ALUM	3	PIVOT ASSY 1 LVR (429)
3	000967	GALV	2	INSULATOR PEDESTAL
3	A9305	ALUM	1	1CD-15 WOOD POLE FRAME ASSY.

MANUAL OPER TO: _____

CUSTOMER P.O.# _____ SERIAL NUMBER: _____

REVISIONS	DATE	BY	MARK	DESCRIPTION
				15 KV 600 AMP

1CD01506/1809 WOOD POLE MTG. SWITCH WITH OPT'L 015T1TN/4719RHB INTERRUPTERS