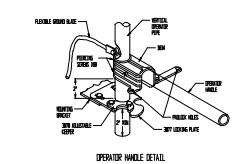
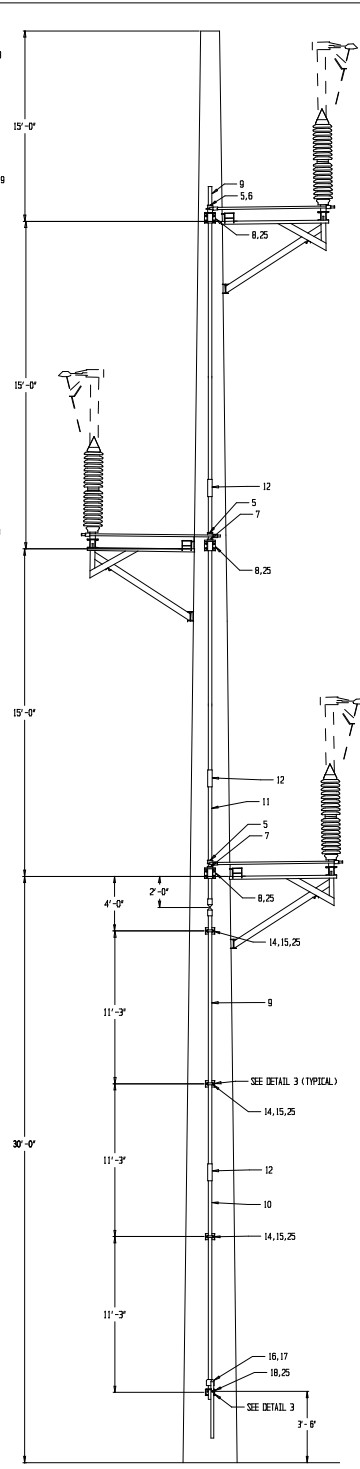
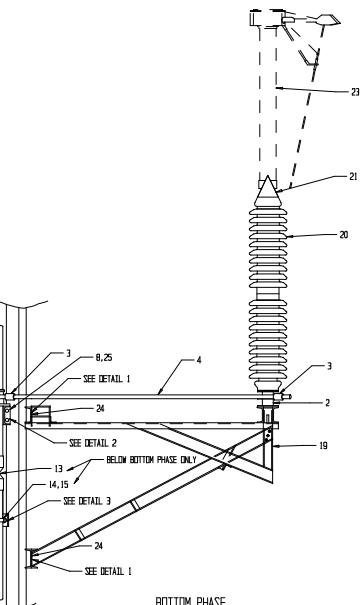
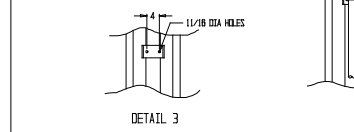


NOTE: ALL POLE BRACKETS ARE SUPPLIED BY STEEL POLE MANUFACTURER



QTY	ITEM	DESCRIPTION
1	AS241	INCL. 161-161 LH BLADE/JAW ASSY. (2.5' DIA.)
19	GALV	MACHINE BOLT 5/8" X 2" MIT. LOCKWASHER
36	GALV	MACHINE BOLT 3/4" X 2 1/2" MIT. LOCKWASHER
3		INTERFUSER (OPTIONAL)
3	0001872030G	CONTACT JAW MITG. PEBESTAL
2	AS250	161-161-161 LH BLADE/JAW ASSY. (2.5' DIA.)
6		INCL. 20
3	AS267	161-161 STEEL POLE FRAME ASSY. 5'-0" MITG. C/L.
1	00382004	OPERATOR MITG. BRKT.
1	AS265	LOCKING PLATE ASSY.
1	AS265	OPERATING HANDLE ASSY.
2	00382004	PIPE GUIDE MITG. PLATE
2	AS259	PIPE GUIDE ASSY.
1	AS277	UP-JOINT ASSY. PIPE TO PIPE
3	AS258	2" IPS PIPE COUPLING
1	PK251 300	2" IPS SCH 80 PIPE # 9'-0"
1	PK251 300	2" IPS SCH 80 PIPE # 14'-0"
3	PK251 300	2" IPS SCH 80 PIPE # 21'-0"
3	AS247	THRUST BEARING-PHASE GUIDE MITG. BRKT.
2	004144AX	PHASE GUIDE
3	AS247	THRUST BEARING ASSY.
3	AS255	PIPE LEVER ASSY. 7"
3	PK251 300	1 1/2" IPS SCH 80 PIPE # 9'-0" 12" THREADED W/ 3 EA. S402 NUTS
6	AS253	1" IPS CLEVIS ASSY.
3	AS241	PIVOT ASSY. 1 LEVER (2x603 1x252)
3	001782000M	GALV INCL. 161-161 PEDESTAL

QUANTITY PART MATERIAL ITEM DESCRIPTION

TO: _____

CUSTOMER P.O.# : _____ SERIAL NUMBER: _____

REVISIONS: _____

DATE BY INK 161 BY 002 MP

161 BY _____

002 MP _____

DRAWING # SK930809

BY: LEO DATE: 08-13-93

APP'D BY: WSD DATE: 08-13-93

16116106/1791

STEEL POLE MOUNTING

TURNER ELECTRIC CORPORATION

FAIRVIEW HEIGHTS, IL., USA

