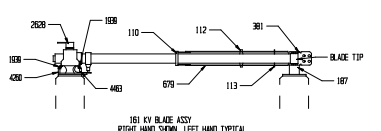
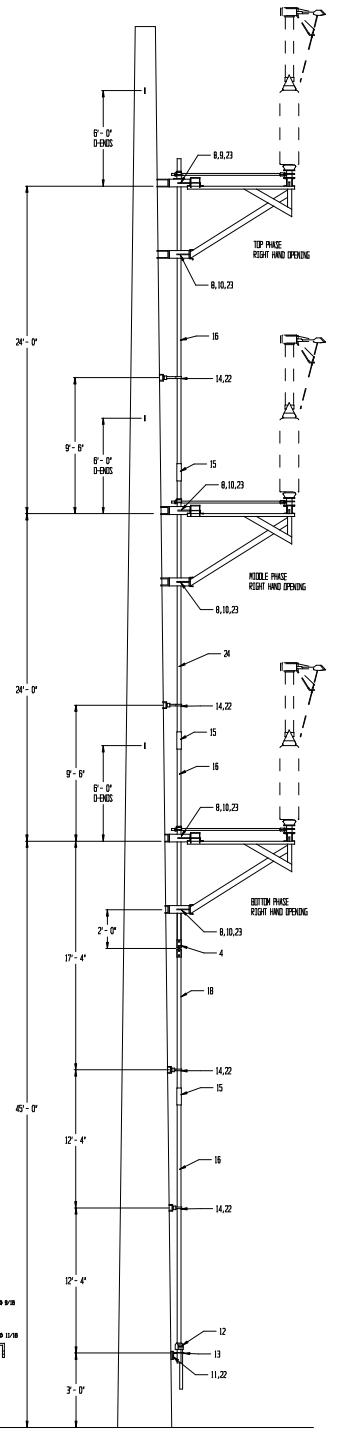
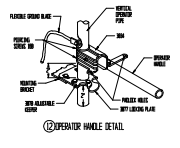
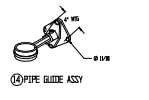


POLE TO FRAME MOUNTING DETAIL



| QTY | PART | MATERIAL | ITEM | DESCRIPTION |
|-----|--------------|----------|------|--|
| - | - | - | 26 | - |
| - | - | - | 25 | - |
| 1 | 0800300 | GALV | 24 | OPER PIPE 2" SCH 40 x 14'-0" |
| 05 | - | GALV | 23 | 3/4" x 2 B.U.L.F. |
| 10 | - | GALV | 22 | 5/8" x 2 B.U.L.F. |
| 3 | - | - | 21 | TEED RUBBER (OPTIONAL) |
| 3 | 40208 | - | 20 | RE-JAM ASSY 10KV 120AMP |
| 3 | 40504 | COPPER | 19 | RE BLADE ASSY 10KV 120AMP |
| 1 | 0800300 | GALV | 18 | OPER PIPE 2" SCH 40 x 15'-0" |
| 6 | SEE ORDER | - | 17 | INSULATOR |
| 3 | 0800300 | GALV | 16 | OPER PIPE 2" SCH 40 x 21'-0" |
| 3 | 40250 | GALV | 15 | PIPER COUPLING |
| 4 | 40250 | - | 14 | P-GLIDE ASSY (3800) |
| 1 | 40200 | ALUM | 13 | LOCKING PLATE ASSY |
| 1 | 40205 | GALV | 12 | OPER ASSY |
| 1 | 4220 | ALUM | 11 | OPER BRKT |
| 5 | 1414 | ALUM | 10 | PHASE GUIDE TOP |
| 1 | 40247 | - | 9 | T-BEARING ASSY |
| 6 | 5130 | GALV | 8 | T-BEARING-PHASE GUIDE FRAME ADAPTOR BRKT |
| 3 | 40255 | GALV | 7 | T LEVER ASSY |
| 3 | 0800300/5402 | ALUM | 6 | R RED 1" SCH40 x 9'-0" w/9 NUTS & 12" HBS (CUT IF REQ'D) |
| 6 | 40251 | GALV | 5 | 1" ELEVIS ASSY |
| 1 | 40277 | GALV | 4 | 2" PIPE 10-200V ASSY |
| 3 | 40241 | ALUM | 3 | PIVOT ASSY (105 BRD) |
| 3 | 1700 | GALV | 2 | INSULATOR PEDESTAL |
| 3 | 40287 | GALV | 1 | 100-161 FRAME ASSY |

DRAWING # **SK930704**
 SHEET 1 OF 1
 DATE BY MARK 161 KV 1200 AMP
 100V-161 SIDE BREAK SWITCH
 w/FRENT MOUNTING ON STEEL POLE
 TURNER ELECTRIC CORPORATION
 FAIRVIEW HEIGHTS, IL., USA