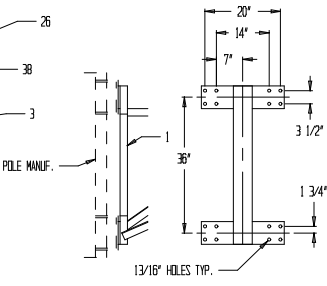
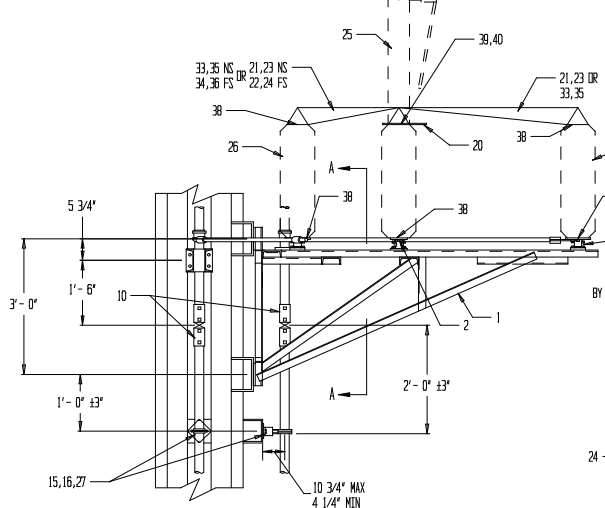
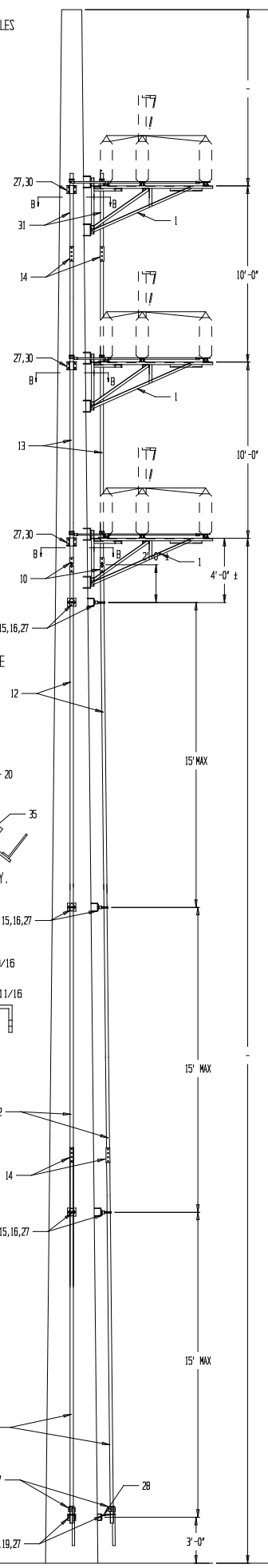
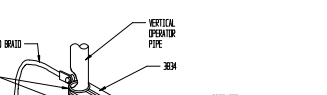
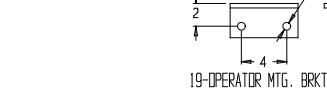
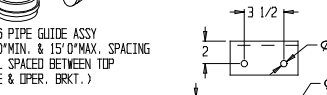
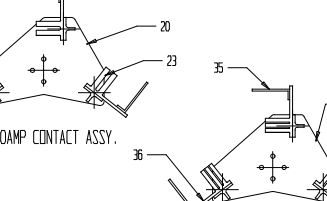
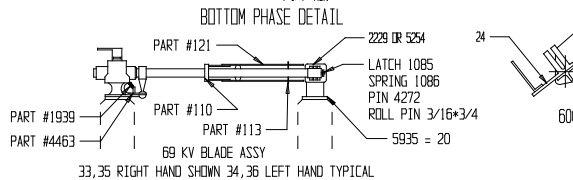


CAUTION: MIN. 10'-0" PHASE SPACING REQ'D W/ TECO-RUPTER
MIN. 9'-0" PHASE SPACING REQ'D W/ O TECO-RUPTER

- NOTES:
A- STD. STATION POST INSULATORS ON 3" BOLT CIRCLE
B- FOUR BOLT 1 3/4" X 1 3/4" NEW CONNECTOR PADS- CONNECTORS OPTIONAL
C- FRAMES ARE WELDED FROM STRUCTURAL ALUM. 6061-T6
D- QUANTITY ON ITEMS 12,13,14,15,16 & 31 WILL CHANGE WITH POLE HEIGHT AND PHASE SPACING
E- PIPE GUIDE SENT FOR 10' PHASE SPACING AND 30' BOTTOM PHASE TO GRADE UNLESS SPECIFIED



SWITCH FRAME MOUNTING DETAIL
INSURE MTG. CHANNELS ARE ON SAME PLANE
SECTION A-A



33,35 RIGHT HAND SHOWN 34,36 LEFT HAND TYPICAL

| QTY | PART | MATERIAL | ITEM | DESCRIPTION |
|-----|-------------|----------|------|--|
| - | - | - | 41 | - |
| 12 | 12 | GALV | 40 | STUD BOLT 1/2"-13 X 2 1/4" N.L.W (RUPTER BOLTS) |
| 12 | 12 | GALV | 39 | MACHINE BOLT 1/2"-13 X 7/8" LW (INSULATOR BOLTS) |
| 84 | 84 | GALV | 38 | MACHINE BOLT 1/2"-13 X 1 1/4" LW (INSULATOR BOLTS) |
| * | RM301380 | GALV | 37 | 2" IPS SCH 40 PIPE # (LENGTH VARIES W/POLE HEIGHT) |
| 3 | AS681 | COPPER | 36 | 69KV 1200AMP JAN ASSY LH |
| 6 | AS680 | COPPER | 35 | 69KV 1200AMP JAN ASSY RH |
| 3 | AS659 | COPPER | 34 | 69KV 1200AMP BLADE ASSY LH |
| 6 | AS658 | COPPER | 33 | 69KV 1200AMP BLADE ASSY RH |
| - | SEE ORDER | - | 32 | MOTOR OPER. (OPTIONAL) |
| * | RM301380 | GALV | 31 | 2" IPS PIPE SCH 40 # (LENGTH VARIES W/POLE HEIGHT) |
| 6 | A4951 | ALUM | 30 | T.B. & PHASE GUIDE MTG. BRKT. |
| 4 | 001414MAX | ALUM | 29 | GUIDE PLATES |
| 8 | 8 | GALV | 28 | CARRIAGE BOLT 1/2" X 1 1/2" N.L.W |
| 54 | 54 | GALV | 27 | MACHINE BOLT 5/8" X 1 3/4" N.L.W |
| 12 | 12 | - | 26 | INSULATOR 69KV 1R216 |
| - | SEE ORDER | - | 25 | RUPTER ASSY W/10' PHASE SPACING REQ'D (OPTIONAL) |
| 3 | AS631 | COPPER | 24 | 69KV 600AMP JAN ASSY LH |
| 6 | AS630 | COPPER | 23 | 69KV 600AMP JAN ASSY RH |
| 3 | AS609 | COPPER | 22 | 69KV 600AMP BLADE ASSY LH |
| 6 | AS608 | COPPER | 21 | 69KV 600AMP BLADE ASSY RH |
| 3 | AS635 | ALUM | 20 | CONTACT MOUNTING PLATE |
| 3 | AS659 | ALUM | 19 | LOCKING PLATE ASSY NOT REQ. W/ MOTOR OPER. |
| 3 | 003690AX | ALUM | 18 | OPERATOR MOUNTING BRACKET NOT REQ. W/ MOTOR OPER. |
| 1 | AS266 | GALV | 17 | OPERATOR HANDLE ASSY 3 MAY NOT REQ. W/ MOTOR OPER. |
| * | AS257 | - | 16 | PIPE GUIDE ASSY (QTY VARIES W/POLE HEIGHT) |
| * | 003690AUM | ALUM | 15 | PIPE GUIDE PLATE (QTY VARIES W/POLE HEIGHT) |
| * | AS259 | GALV | 14 | COUPLING 2" IPS (QTY VARIES W/POLE HEIGHT) |
| * | RM301380 | GALV | 13 | 2" IPS PIPE SCH 40 # (LENGTH VARIES W/POLE HEIGHT) |
| * | RM301380 | GALV | 12 | 2" IPS PIPE SCH 40 # (LENGTH VARIES W/POLE HEIGHT) |
| 2 | 000220ATX | ALUM | 11 | PHASE GUIDE |
| 3 | AS277 | GALV | 10 | U-JOINT ASSY |
| 2 | AS247 | - | 9 | THRUST BEARING ASSY |
| 1 | AS248 | - | 8 | THRUST BEARING ASSY WITH 1443 BRKT |
| 3 | RM301300 | GALV | 7 | 3/4" IPS PIPE SCH 80 # 7'-4" |
| 6 | RM301280 | GALV | 6 | 3/4" IPS PIPE SCH 40 # 3'-6" |
| 9 | AS255 | GALV | 5 | PIPE LEVER ASSY |
| 18 | AS252 | GALV | 4 | CLEVIS ASSY 3/4" IPS |
| 9 | AS233 | - | 3 | PIVOT ASSY 1 LEVER (3-483 TAP, 6-258 THRU LINE) |
| 3 | 000675SDONM | GALV | 2 | INSULATOR PEDESTAL |
| 3 | AS352 | ALUM | 1 | 30-69 STEEL POLE FRAME ASSY W/ POLE MTG. |

QUANTITY: 1200 AMP, 600 AMP

REVISING: DATE 7-7-97 BY JIM A

REVISOR: DATE 1-21-98 BY JLM B

ADDED NOTE TO FRAME MTG DETAIL: DATE 12-3-99 MNR C

REV PIVOT DETAIL: DATE 9-18-02 MNR D

DRAWING # SK820519

DATE 7-7-97

TURNER ELECTRIC CORPORATION
FAIRVIEW HEIGHTS, ILL., USA

3006906/12/3127 AIR SWITCH
STEEL POLE MOUNTED

600/1200 AMP