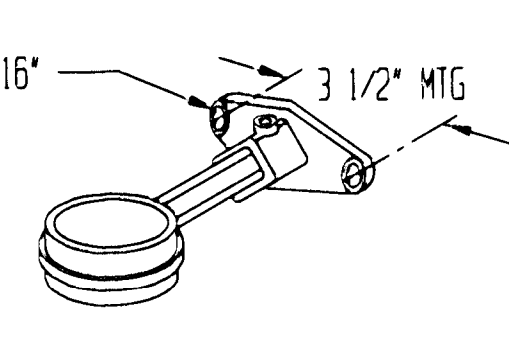
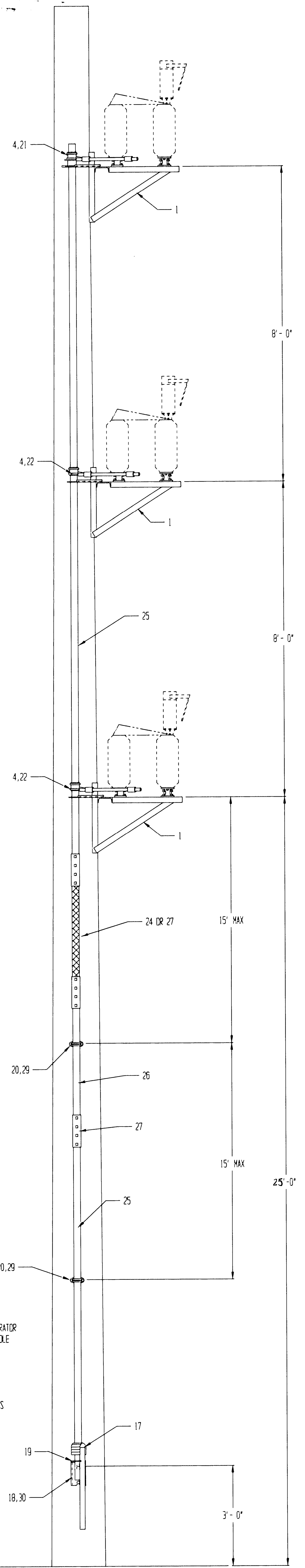
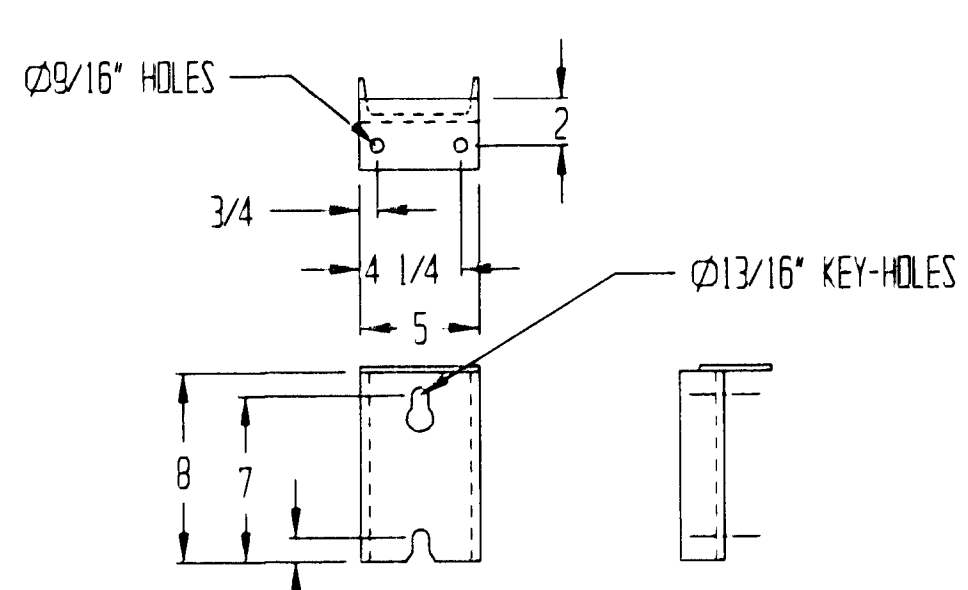


MATERIALS FURNISHED WITH SWITCH:
 THRUST BEARINGS & PHASE GUIDES
 GROUND CONNECTORS
 LAG SCREWS (HOT GALV)
 POLE BANDS (STEEL, HOT GALV OPTIONAL)
 STD. OPERATING PIPE AND COUPLING
 (2" PIPE-42"-0" LONG)
 OPERATING HANDLE GROUNDING UNIT
 ALL SET SCREWS ARE SELF-PIERCING

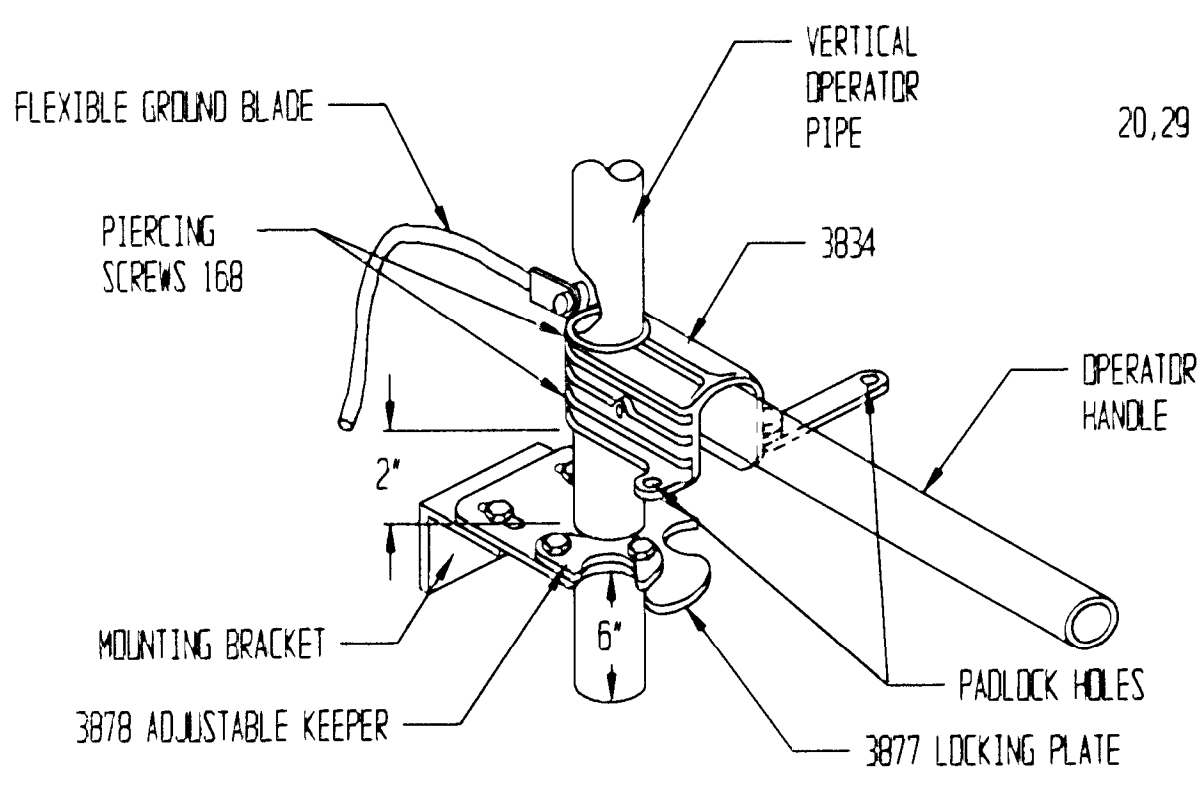
NOTES:
 A- STANDARD NEMA PIN AND CAP OR STATION POST INSULATORS ON A 3" BOLT CIRCLE
 B- CONNECTORS CAN BE SUPPLIED UPON REQUEST.
 C- SUGGESTED POLE CLASS POLE SIZES FOR SWITCH MTG. ARE CLASS 1 OR 2.
 D- FRAMES ARE WELDED FROM STRUCT. ALUM. 6061-T6



20 PIPE GUIDE ASSY



18 OPER MTG BRKT DETAIL



17 OPERATOR HANDLE DETAIL

QTY	PART	MATERIAL	ITEM	DESCRIPTION
4	4	GALV	30	5/8" X 5" LAG BOLTS
8	8	GALV	29	1/2" X 4" LAG BOLTS
3	3	ALUM	A2354	CONTACT PLATE
4	4	GALV	A9259	2" PIPE COUPLING
2	2	GALV	RM301380	2" SCH.40 OPER PIPE @ 4'-6"
4	4	GALV	RM301380	2" SCH.40 OPER PIPE @ 21'-0"
-	-	FIBERGLASS	A9263	8'-0" IGI ASSY
3	3	-	23	INTERRUPTER (OPTIONAL)
4	4	-	22	PHASE GUIDE
2	2	ALUM	A9249	T-BEARING ASSY
4	4	-	20	PIPE GUIDE ASSY
2	2	ALUM	A9269	LOCKING PLATE ASSY
2	2	ALUM	00387988K	OPERATOR MTG BRKT
1	1	GALV	A9284	2-WAY OPERATOR HANDLE ASSY
3	-	-	16	34KV 1200AMP LH JAW ASSY
3	-	-	15	34KV 1200AMP RH JAW ASSY
3	-	COPPER	A9555	34KV 1200AMP LH BLADE ASSY
3	-	COPPER	A9554	34KV 1200AMP RH BLADE ASSY
-	3	-	12	34KV 600AMP LH JAW ASSY
-	3	-	11	34KV 600AMP RH JAW ASSY
-	3	COPPER	A9505	34KV 600AMP LH BLADE ASSY
-	3	COPPER	A9504	34KV 600AMP RH BLADE ASSY
3	3	ALUM	001182	DEAD END (OPTIONAL)
9	9	-	7	INSULATOR
6	6	GALV	RM301280	3/4" SCH.40 REACH ROD @ 30"
12	12	GALV	A9252	3/4" CLEVIS ASSY
6	6	GALV	A9255	7" PIPE LEVER ASSY
3	3	GALV	967	STATIONARY PEDESTAL
6	6	ALUM	A9233	1 LEVER PIVOT ASSY
3	3	ALUM	A9334	20-34 FRAME ASSY

QUANTITY	PART	MATERIAL	ITEM	DESCRIPTION
1200 AMP	TD:			
600 AMP	CUSTOMER P.O. #		SERIAL NUMBER:	
REVISED	DATE	BY	MARK	34 KV
ADD 3RD TB MTG HOLE	2-12-01	MRP	A	600/1200 AMP
DRAWING #	BY	DATE	TURNER ELECTRIC CORPORATION	
SK770124	MRP	6-13-95	FAIRVIEW HEIGHTS, IL., USA	
SHEET 1 OF 1	APP'D BY	DATE		