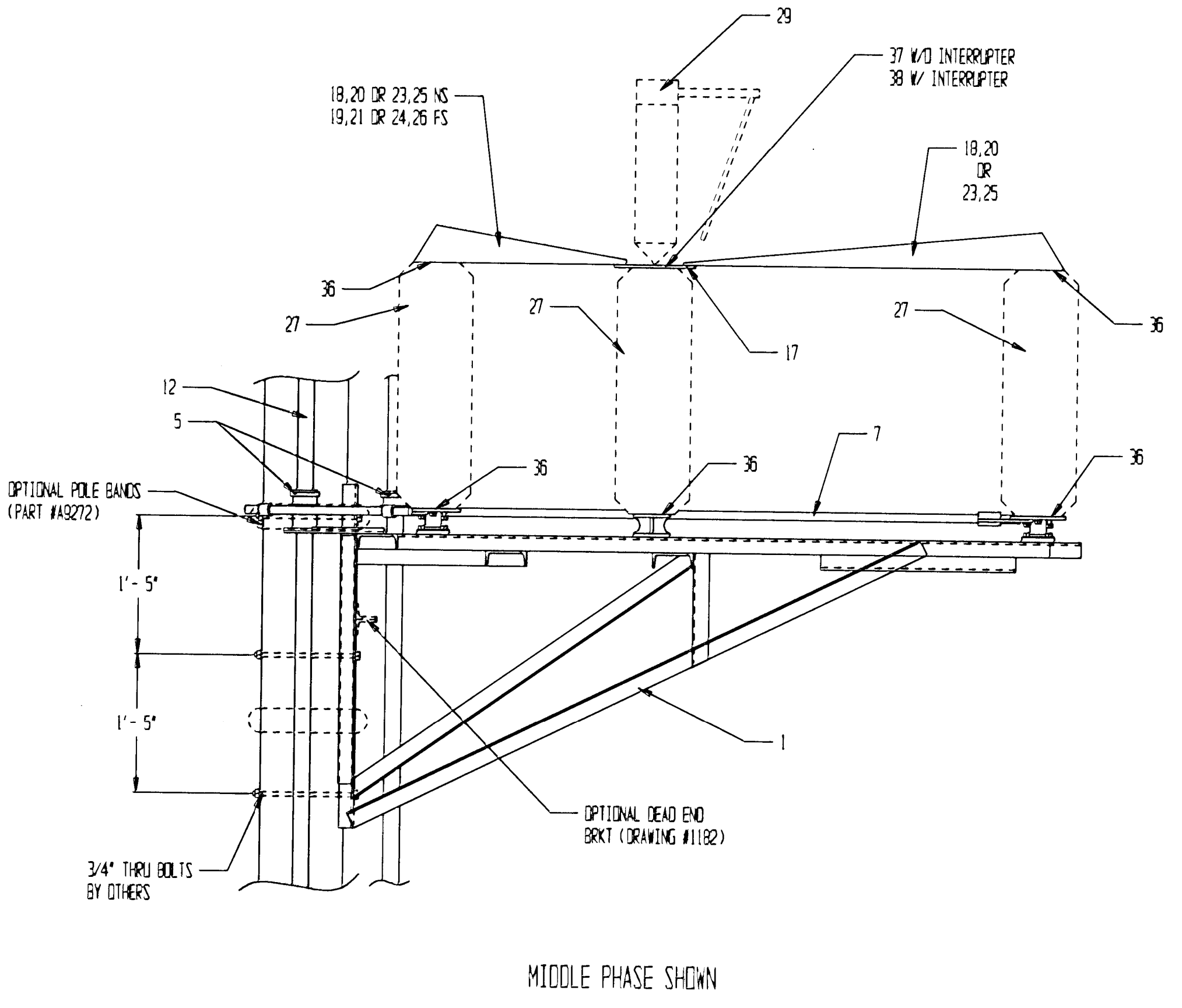
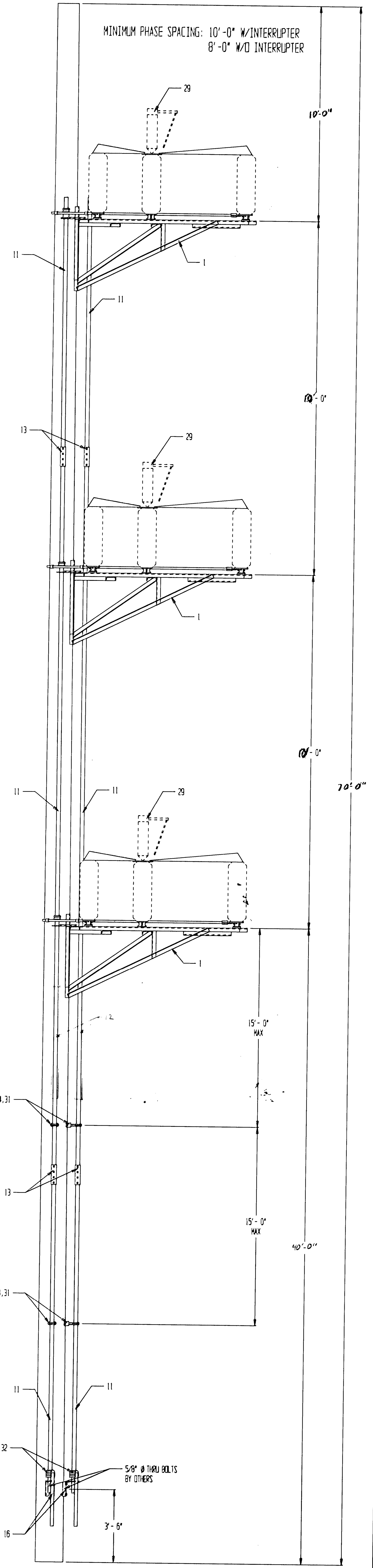
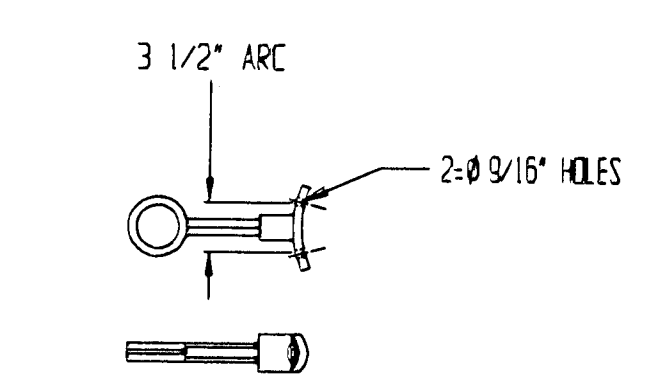


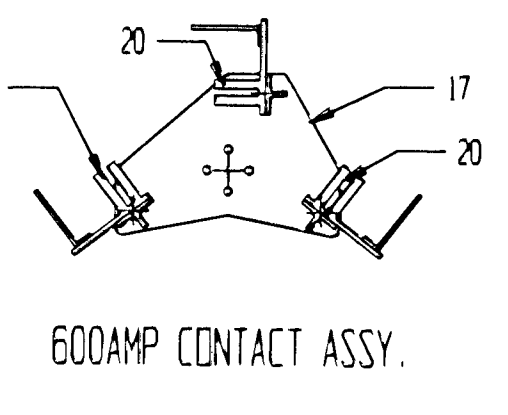
25,000 LBS. ULTIMATE TENSION  
10,000 LBS. WORKING TENSION  
± 5° LINE ANGLE  
(TYP. 3 PLACES)



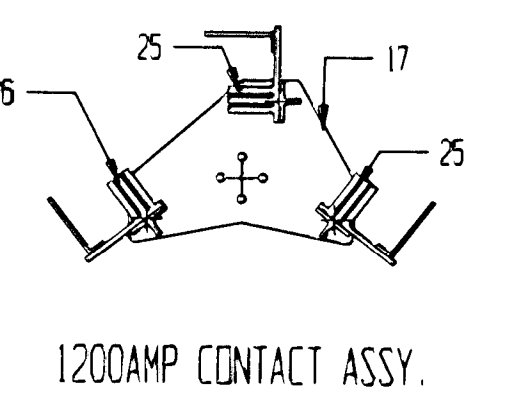
MIDDLE PHASE SHOWN



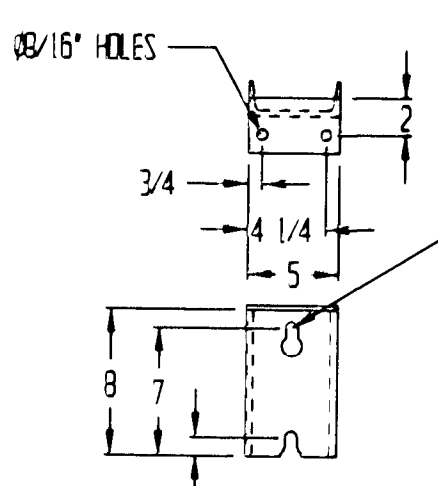
14 PIPE GUIDE DETAIL



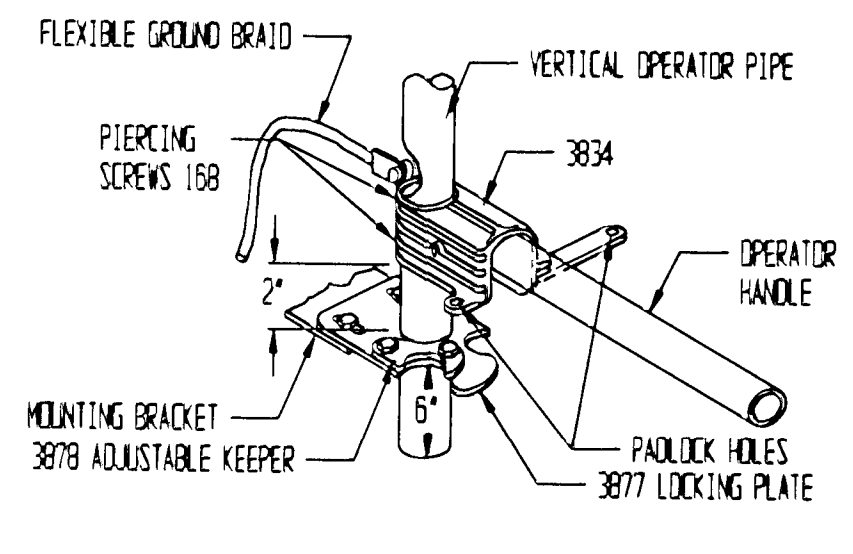
600AMP CONTACT ASSY.



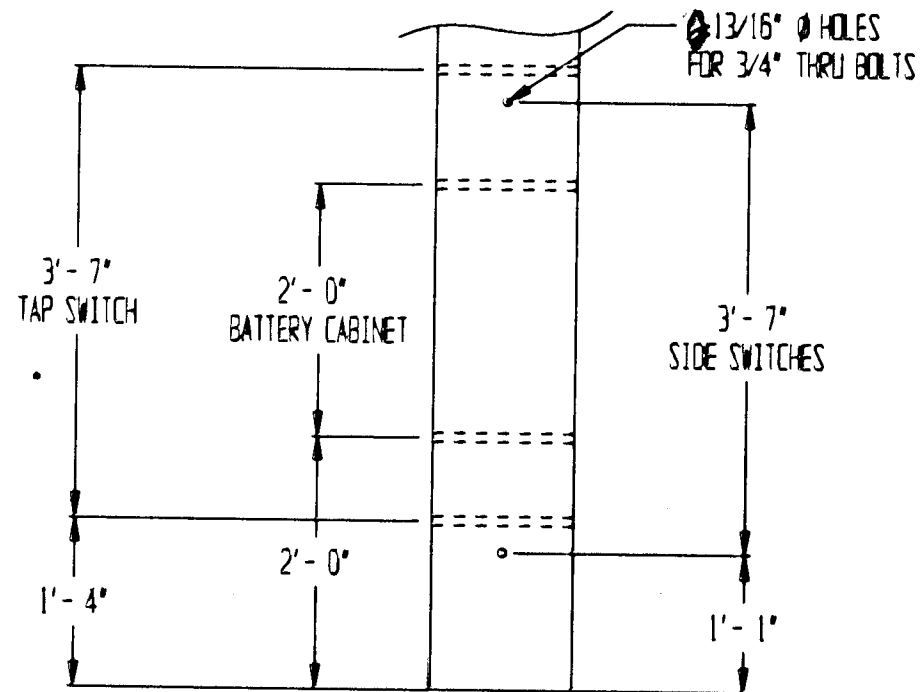
1200AMP CONTACT ASSY.



16 OPER MTG BRKT DETAIL



15 OPERATOR HANDLE DETAIL



30 MOTOR OPER DRILLING DETAIL

QTY	PART	MATERIAL	ITEM	DESCRIPTION
-	-	-	41	-
-	-	-	40	-
-	-	-	39	-
12	12	GALV	38	STUD 1/2"-13 X 2 1/4" N.L.W (INSULATOR MTG W/ RUPTR)
12	12	GALV	37	MACHINE BOLT 1/2"-13 X 7/8" L.W (INSULATOR MTG W/ RUPTR)
84	84	GALV	36	MACHINE BOLT 1/2"-13 X 1 1/4" L.W (INSULATOR MTG)
-	-	-	35	-
18	18	GALV	34	CARRIAGE BOLTS 1/2"-13 X 1 1/2" N.L.W
-	-	-	33	-
6	6	GALV	32	CARRIAGE BOLTS 1/2"-13 X 1 1/2" N.L.W
*	*	GALV	31	LAG BOLTS 1/2" X 4" (QTY VARIES W/POLE HEIGHT)
-	-	-	30	MOTOR OPERATOR (OPTIONAL)
-	-	-	29	INTERRUPTER (OPTIONAL)
4	4	ALUM	28	PHASE GUIDE
12	12	SEE ORDER	27	INSULATOR
3	-	A9581	26	JAW ASSY 60/161KV 1200AMP LH
6	-	A9580	25	JAW ASSY 60/161KV 1200AMP RH
3	-	A9558	24	BLADE LESS JAW ASSY 60KV 1200AMP LH
6	-	A9558	23	BLADE LESS JAW ASSY 60KV 1200AMP RH
-	-	-	22	-
-	-	-	21	JAW ASSY 60/161KV 600AMP LH
-	-	-	20	JAW ASSY 60/161KV 600AMP RH
-	-	-	19	BLADE LESS JAW ASSY 60KV 600AMP LH
-	-	-	18	BLADE LESS JAW ASSY 60KV 600AMP RH
3	3	A9535	17	CONTACT MOUNTING PLATE
3	3	A9286	16	OPERATOR MOUNTING ASSY
1	1	A9286	15	OPERATOR HANDLE ASSY 3 WAY
*	*	A9257	14	PIPE GUIDE ASSY (QTY VARIES W/POLE HEIGHT)
*	*	A9259	13	2" PIPE COUPLING (QTY VARIES W/POLE HEIGHT)
3	-	A9203	12	- 8'-0" 161
*	*	RM301380	11	2" IPS PIPE SCH 40 @ (VARIES W/POLE HEIGHT)
2	2	000220ATX	10	PHASE GUIDE
2	2	A9249	9	THRUST BEARING ASSY W/001443SDXG BRKT & 000163AAX GUIDE PLATE
1	1	A9248	8	THRUST BEARING ASSY W/001443SDXG BRKT
3	3	RM301300	7	3/4" IPS PIPE SCH 80 @ 7'-4"
6	6	RM301280	6	3/4" IPS PIPE SCH 40 @ 3'-6"
9	9	A9255	5	PIPE LEVER ASSY
18	18	A9252	4	3/4" CLEVIS ASSY
3	3	000967SDXMGH	3	INSULATOR PEDASTAL
9	9	A9233	2	PIV ASSY 1 LEVER (6@105 RIGHT & LEFT BLADE X 3@483 FRONT BLADE)
3	3	A9351	1	30-69-6/12 FRAME ASSY WP/CP

REVISIONS	DATE	BY	MARK
REDRAWN	8-7-84	LLC	A
FRAME & CONTACT PLATE	6-18-85	WSD	B
ADDED 1182 OUTLINE	7-24-90	DKR	C
REDRAWN TO CAD	6-14-02	WJR	D

DRAWING # **SK761201**  
 SHEET 1 OF 1  
 BY **MJB** DATE **6-14-02**  
 APP'D BY **LD** DATE **6-14-02**

**TURNER ELECTRIC CORPORATION**  
 FAIRVIEW HEIGHTS, IL., USA