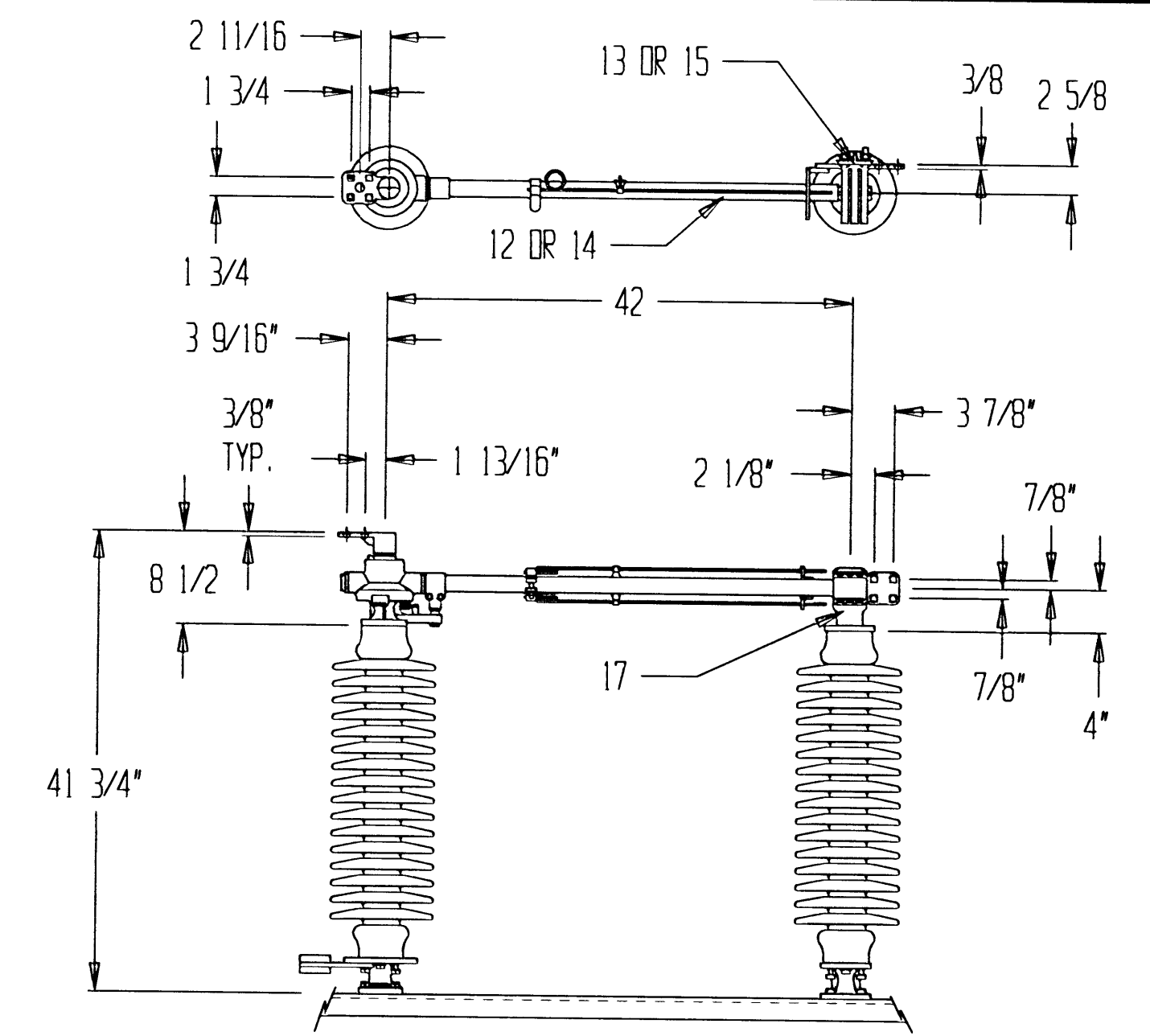
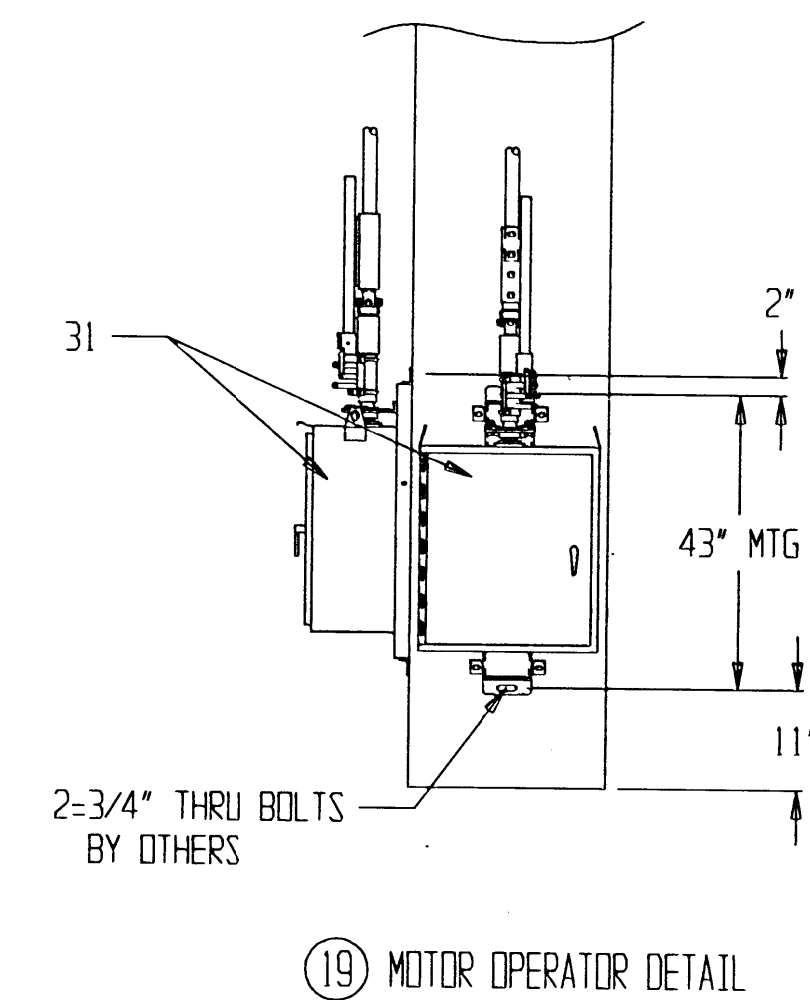
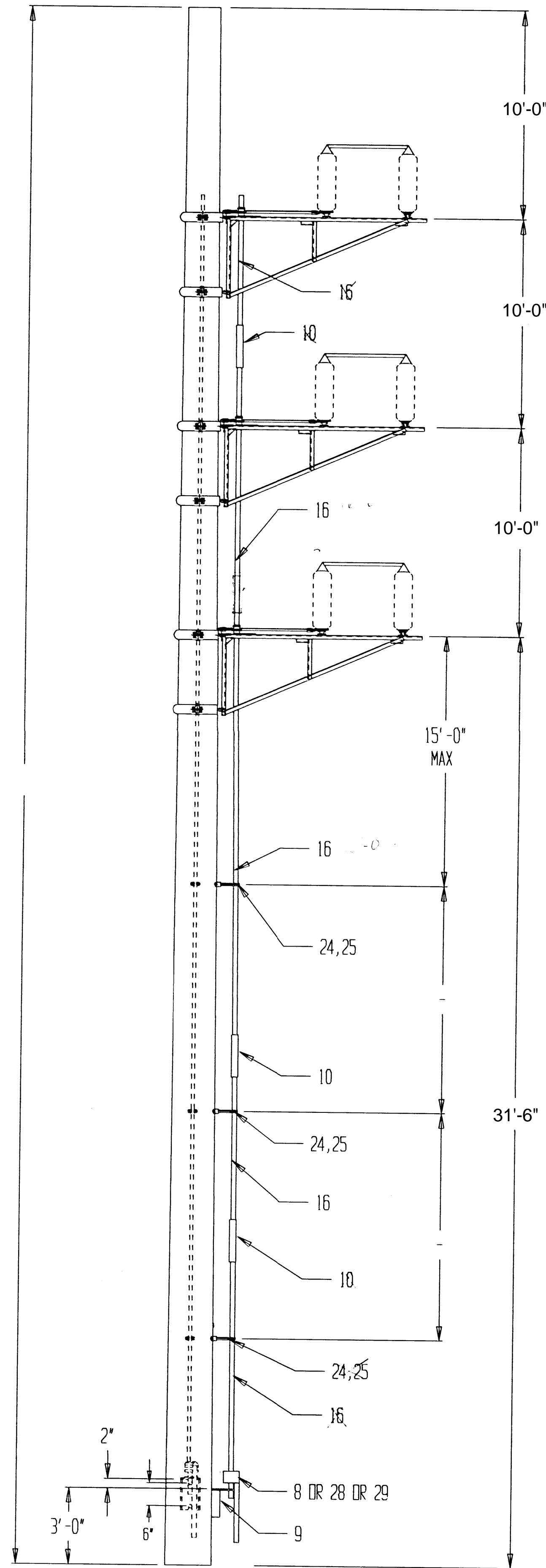
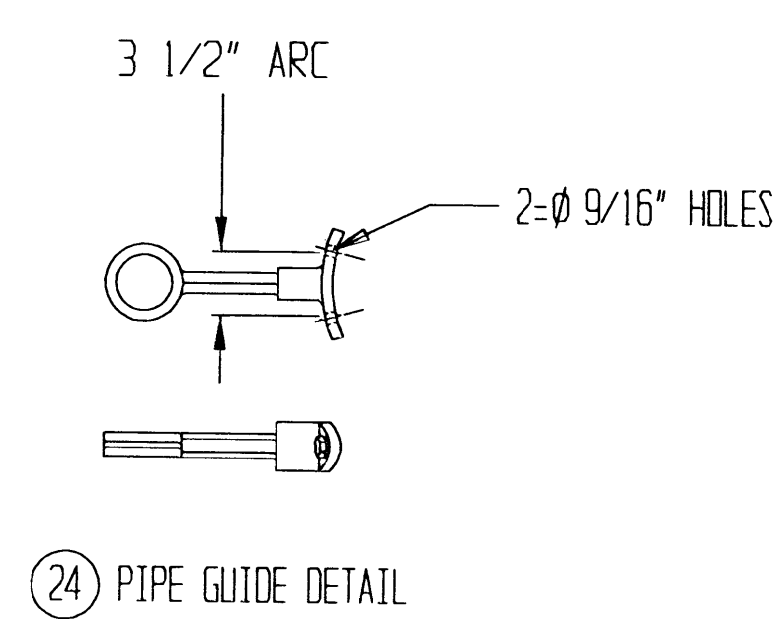
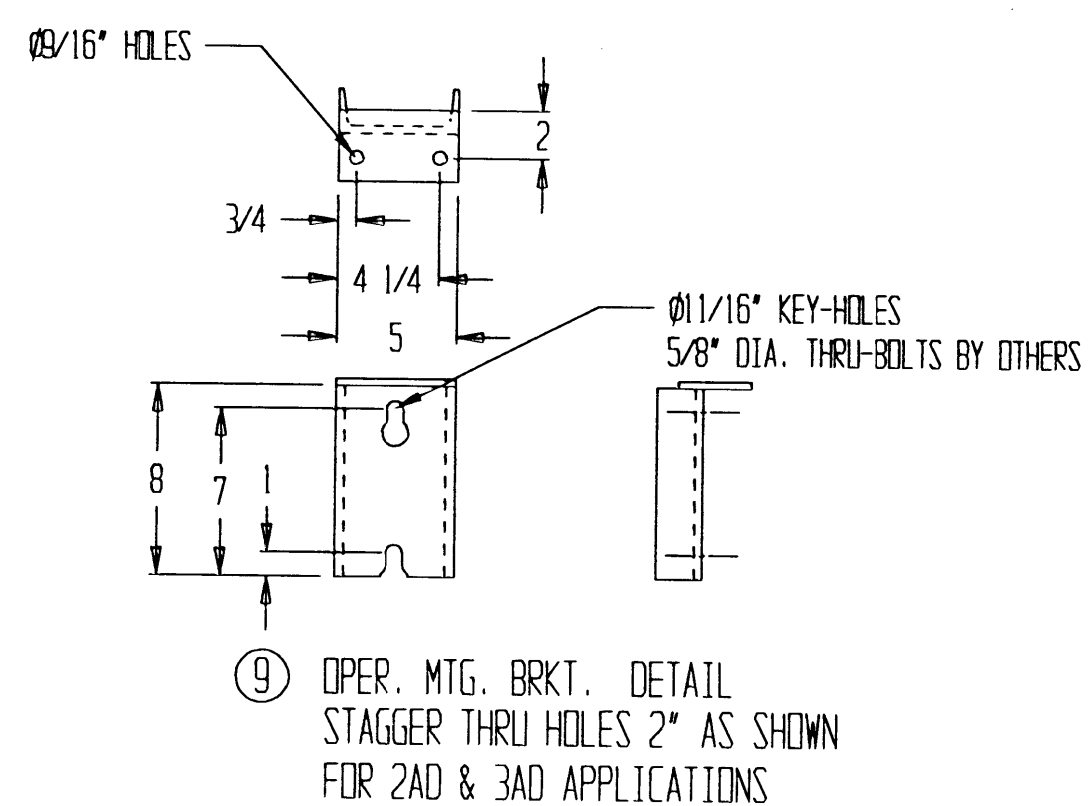
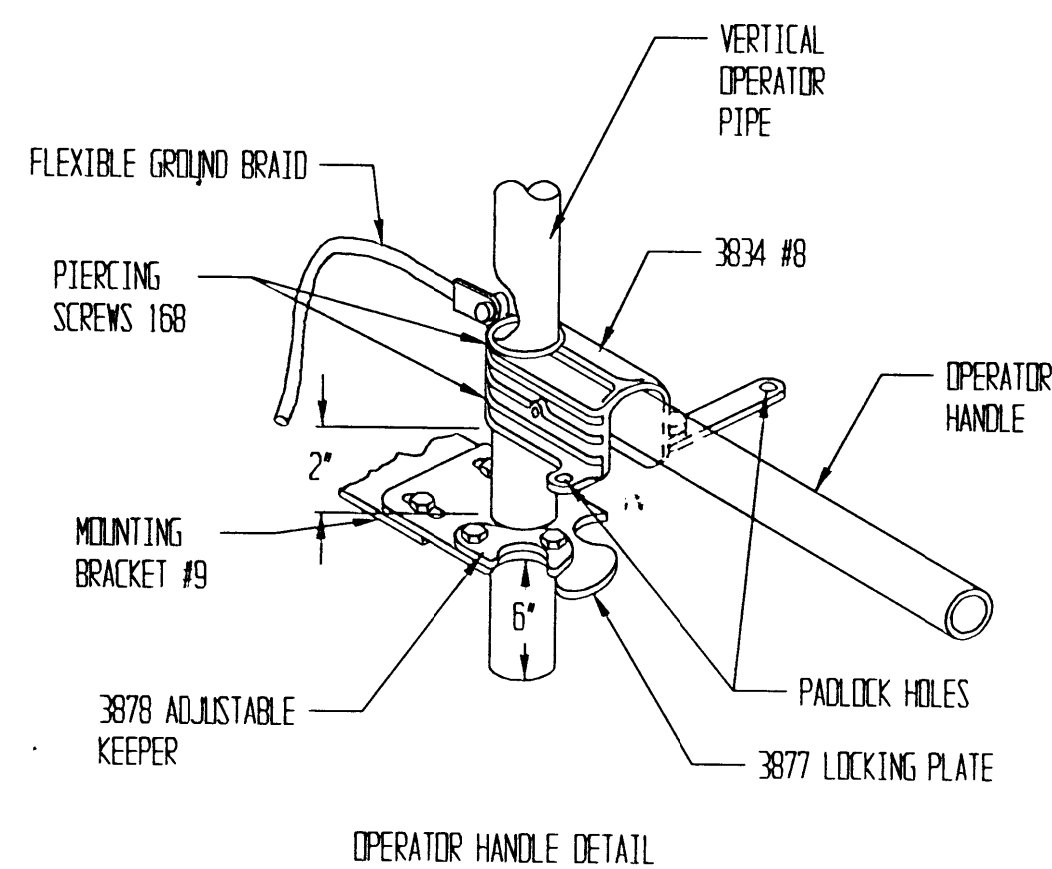


SWITCH FRAME DETAIL



⑭ ⑮ 69KV 600A BLADE ASSY DETAIL
⑫ ⑬ 69KV 1200A BLADE ASSY DETAIL

QTY	PART	MATERIAL	ITEM	DESCRIPTION
1	A9286		29	3 WAY OPER HANDLE
1	A9284		28	2 WAY OPER HANDLE
18	12	6		27 FRAME PIN (#169)
6	3	002305AX	ALUM	26 FRAME STABILIZER ASSY
*	*	*	GALV	25 LAG BOLTS 1/2" X 4" (VARIES W/POLE HEIGHT)
*	*	*	ALUM	24 PIPE GUIDE ASSY (VARIES W/POLE HEIGHT)
-	-	-	23	-
-	-	-	22	-
24	16	16	8	GALV 21 CARRIAGE BOLT 1/2"-13 X 1 1/2",N,LW
18	12	12	6	SEE ORDER 20 INSULATORS
-	-	-	19	MOTOR OPERATOR (OPTIONAL)
-	-	-	A9276	18 POLE BAND (OPTIONAL)
9	6	6	3	000142SDXMG GALV 17 CONTACT PEDESTAL
*	*	*	RM301380	GALV 16 2" IPS SCH.40 PIPE (VARIES WITH POLE HEIGHT)
			A9528	15 69/161KV 600 AMP RH JAW ASSY
			A9508	14 69KV 600AMP RH BLADE W/O JAW
			A9578	13 69/161KV 1200 AMP RH JAW ASSY
			A9558	12 69KV 1200AMP RH BLADE W/O JAW
9	6	6	3	RM301280 GALV 11 REACH ROD 3/4"IPS SCH.40 @ 40"
*	*	*	A9259	GALV 10 PIPE COUPLING ASSY (VARIES W/POLE HEIGHT)
3	2	2	1	A9266 - 9 OPER MOUNTING ASSY STD
-	-	-	1	A9264 - 8 OPERATOR HANDLE ASSY
3	2	2	1	A9248 - 7 THRUST BEARING ASSY w/1443 MTG., TOP
9	6	6	3	A9255 GALV 6 PIPE LEVER ASSY
18	12	12	6	A9252 GALV 5 3/4" CLEVIS ASSY
6	4	4	2	000220ATX ALUM 4 PHASE GUIDE , MIDDLE & BOTTOM
9	6	6	3	A9233 ALUM 3 PIVOT ASSY ILVR (483)
9	6	6	3	000967SDXMG GALV 2 INSULATOR PEDESTAL
9	6	6	3	A9304 ALUM 1 AD-69-6/12 FRAME ASSY.

QUANTITY	PART	MATERIAL	ITEM	DESCRIPTION
3AD069	180°			
2AD069	90°			
1AD069				
CUSTOMER P.O.#				SERIAL NUMBER:
REVISIONS				DATE
REDRAWN	4/85	JRM	A	69 KV
CHANGED SPELLING	4/86	LD	B	1AD06906/1804 1AD06912/1804 600/1200 AMP
REDRAWN TO CAD	9/02	MJR	C	2AD06906/2106 2AD06912/2106
				3AD06906/3104 3AD06912/3104
				69KV 600/1200AMP SWITCH ON WOOD POLE
DRAWING #	BY	DATE		
SK760330	MJB	9-30-02		
SHEET 1 OF 1	APP'D BY	DATE		
	M.R.P	10-1-02		
TURNER ELECTRIC CORPORATION FAIRVIEW HEIGHTS, IL., USA				