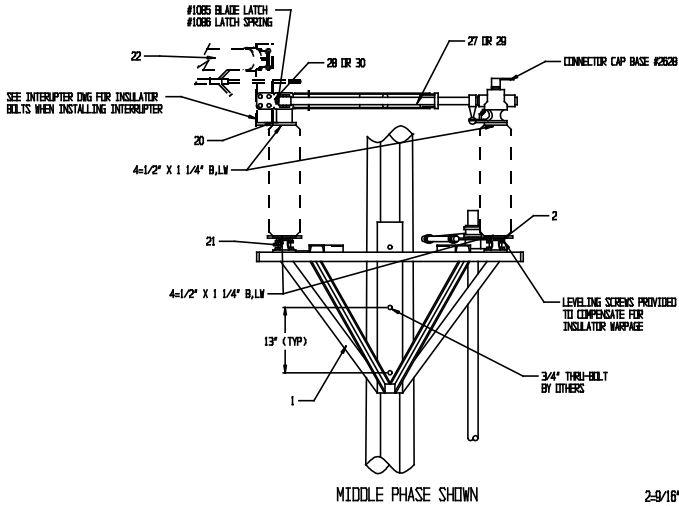
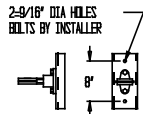


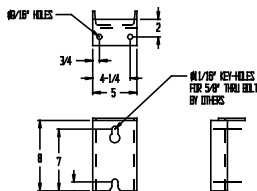
15 EXTENSION PLATE DETAIL



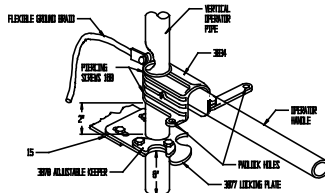
MIDDLE PHASE SHOWN



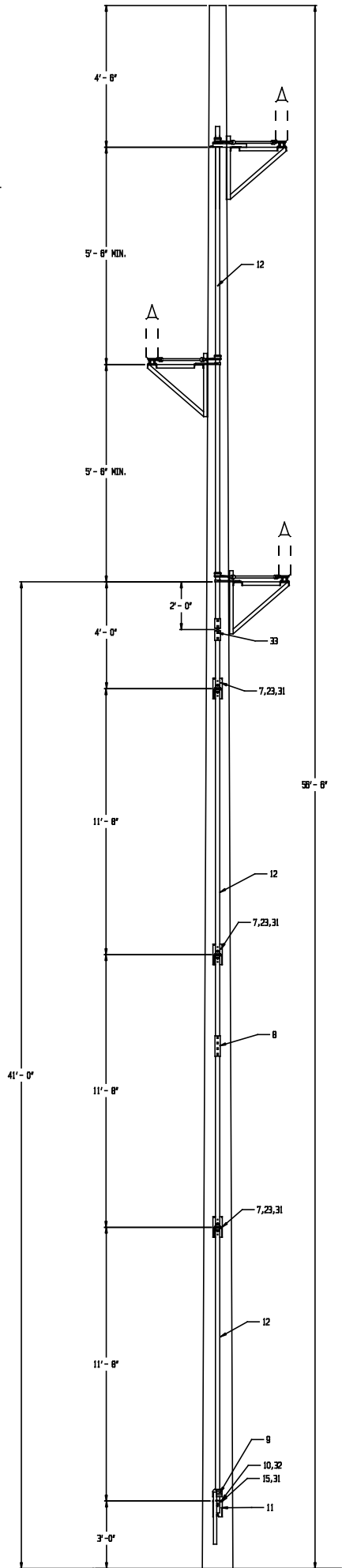
7 2 PIPE GLIDE MTG BRKT



1 OPERATOR MTG BRKT DETAIL



9 OPERATOR HANDLE DETAIL



QTY	REV	DESCRIPTION	UNIT	ITEM	DESCRIPTION
1	1	AS277	-	34	U-DINT
8	0	-	GALV	32	CARRIAGE BOLT 1/2" - 13 X 1 1/2" N,L,M
*	*	-	GALV	31	MACHINE BOLT 1/2" - 13 X 1 1/2" N,L,M (QTY VARIES w/POLE HEIGHT)
1	-	AS579	-	30	JAW ASSY 60/180CY 1200AMP LH
1	-	AS578	-	29	BLADE LESS JAW 60/180CY 1200AMP LH
1	-	AS528	-	28	JAW ASSY 60/180CY 600AMP LH
1	-	AS529	-	27	BLADE LESS JAW 60/180CY 600AMP LH
3	3	RK30128D	GALV	26	3/4" SCH 80 REACH ROD w/ 4"
6	6	W250261X	-	25	60CY INSULATOR
1	1	0038930G	GALV	24	THRUST BEARING MTG BRKT
*	*	007291AX	ALUM	23	PIPE GLIDE MTG BRKT (QTY VARIES w/POLE HEIGHT)
-	-	SEE ORDER	-	22	TECH-REPTER (OPTIONAL)
3	3	0006573DMEH	GALV	21	STATIONARY INSULATOR PEDESTAL
3	3	0001423DMEG	GALV	20	CONTACT PEDESTAL
2	-	AS578	-	19	60CY 1200 AMP RH JAW ASSY
2	-	AS528	-	18	60CY 1200 AMP RH BLADE W/O JAW
-	-	AS529	-	17	60CY 600AMP RH JAW ASSY
-	-	AS528	-	16	60CY 600AMP RH BLADE W/O JAW
1	1	0038930G	GALV	15	EXTENSION PLATE
-	-	-	-	14	-
-	-	-	-	13	-
*	*	RK30130D	GALV	12	2" SCH 40 VERT. OPER. PIPE (QTY VARIES w/POLE HEIGHT)
1	1	003893AX	ALUM	11	OPERATOR MTG BRKT
1	1	AS289	ALUM	10	OPER. LOCKING PLATE ASSY.
1	1	AS284	GALV	9	OPERATOR HANDLE ASSY.
*	*	AS289	GALV	8	PIPE COUPLING ASSY. (QTY VARIES w/POLE HEIGHT)
*	*	AS287	GALV	7	PIPE GLIDE ASSY. (QTY VARIES w/POLE HEIGHT)
3	3	AS225	GALV	6	7" PIPE LEVER
6	6	AS252	GALV	5	CLEVIS ASSY., 3/4"
2	2	000220ATX	GALV	4	PHASE GLIDE ASSY.
1	1	AS247	GALV	3	THRUST BEARING ASSY.
3	3	AS233	ALUM	2	PIVOT ASSY., 3" B.C., 1 FIBER (2-250, 1-420)
3	3	AS115-1	ALUM	1	FRAME ASSY., 1CT-60-6/12

QUANTITY	PART	MATERIAL	ITEM	DESCRIPTION
TITLE:				
CUSTOMER P.O.#				
SERIAL NUMBER:				
REVISING				
DATE				
BY				
CHK'D BY				
DATE				
APP'D BY				
DATE				
DRAWING # SK000820				
SHEET 1 OF 1				
TURNER ELECTRIC CORPORATION				
FAIRVIEW HEIGHTS, IL., USA				