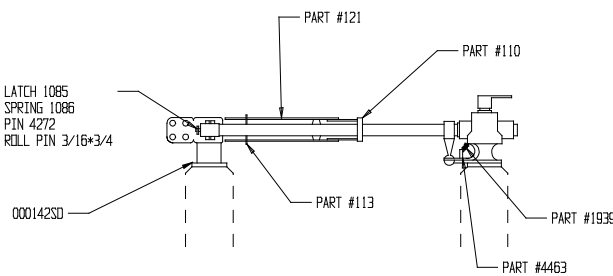
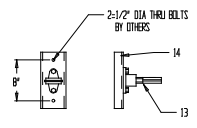
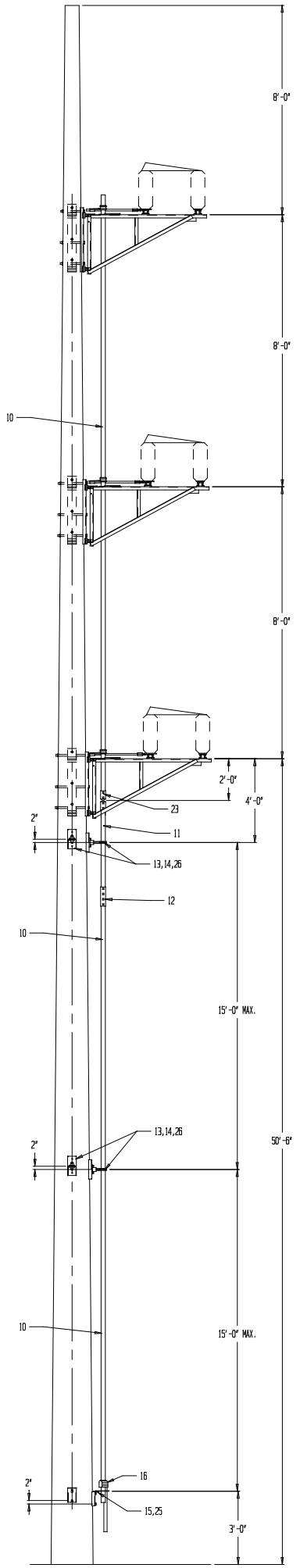


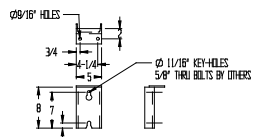
MIDDLE PHASE SHOWN



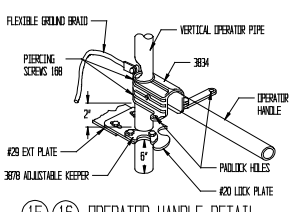
20 21 46 KV BLADE/JAW ASSY



13 14 PIPE GUIDE DETAIL



15 OPER MTG BRKT DETAIL



15 16 OPERATOR HANDLE DETAIL

QTY	PART	MATERIAL	ITEM	DESCRIPTION
-	-	-	30	-
-	-	-	29	-
-	-	-	28	-
-	-	-	27	-
*	*	GALV	26	MACHINE BELT 1/2"-13 x 1 1/2" N.L.W
16	8	GALV	25	CARRIAGE BELT 1/2"-13 x 1 1/2" N.L.W
3	-	A6709	24	FRAME POLE MTG BRKT
2	1	A8277	23	U-JOINT ASSY
12	6	SEE ORDER	22	INSULATOR (10214)
6	3	A8274	21	46KV 1200AMP JAW ASSY RH
6	3	A8266	20	46KV 1200AMP BLADE ASSY RH
1	-	A8284	19	2 WAY OPERATOR HANDLE ASSY
6	3	000142SDING	18	CONTACT JAW MTG PEDESTAL
3	3	A6710	17	FRAME POLE MTG BRACKET
-	1	A8264	16	OPERATOR HANDLE ASSY
2	1	A8265	15	OPERATOR LOCKING PLATE/MTG BRKT ASSY
*	*	007231AX	14	PIPE GUIDE MTG BRKT (QTY. VARIES w/POLE HEIGHT)
*	*	A8257	13	PIPE GUIDE ASSY (QTY. VARIES w/POLE HEIGHT)
*	*	A8259	12	2" PIPE COUPLING (QTY. VARIES w/POLE HEIGHT)
-	-	-	11	-
*	*	RK601280	10	2" IPS SCH 40 PIPE (LENGTH VARIES w/POLE HGT.)
4	2	000220ATX	9	PHASE GUIDE ASSY
2	1	A8248	8	THRUST BEARING ASSY
6	3	A8255	7	7" PIPE LEVER ASSY
6	3	RK601280	6	3/4" IPS SCH 40 PIPE w 3/4"
-	-	-	5	-
-	-	-	4	-
12	6	A8252	4	3/4" CLEVIS ASSY
6	3	A8233	3	PIVOT ASSY, 1 LEVER (483)
6	3	000873SDMMH	2	INSULATOR PEDESTAL
6	3	A8203	1	LMB-46 FRAME ASSY

QUANTITY PART MATERIAL ITEM DESCRIPTION

REVISING: ADD CONCRETE MTS, RH BLADES WERE LH 5-21-00 SP A

DATE: 9-9-00

BY: TEP

APP'D BY: DATE

46 KV 1200 AMP 1A004612/1710 CONTROL MECH. ROUND STEEL/CONCRETE POLE MTG.

TURNER ELECTRIC CORPORATION FAIRVIEW HEIGHTS, IL., USA

DRAWING # SK000807 SHEET 1 OF 1