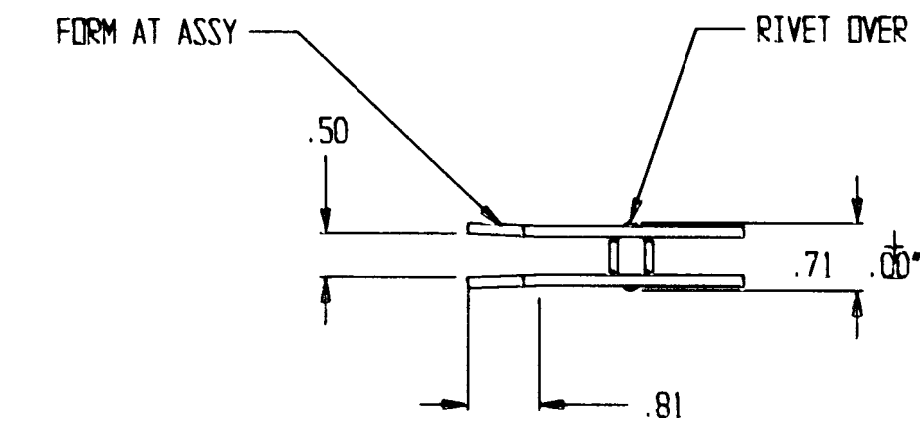
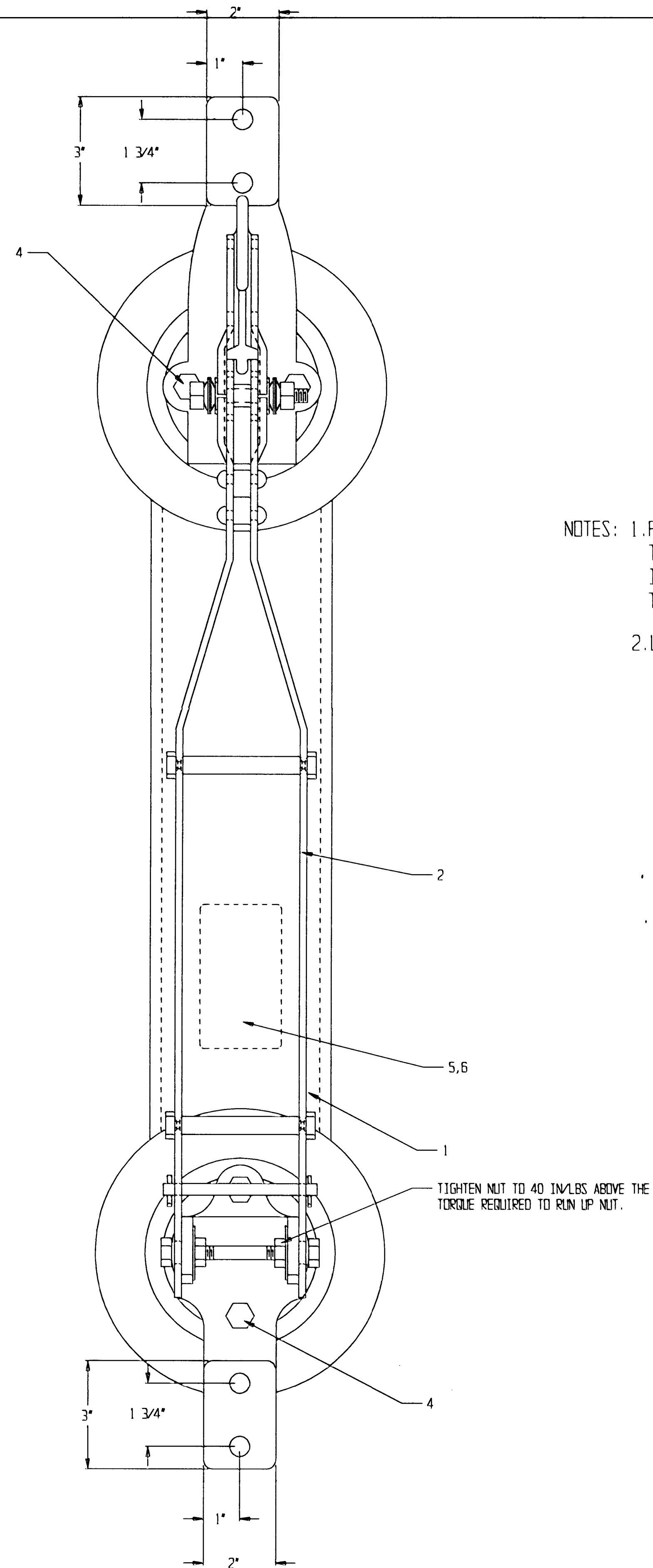
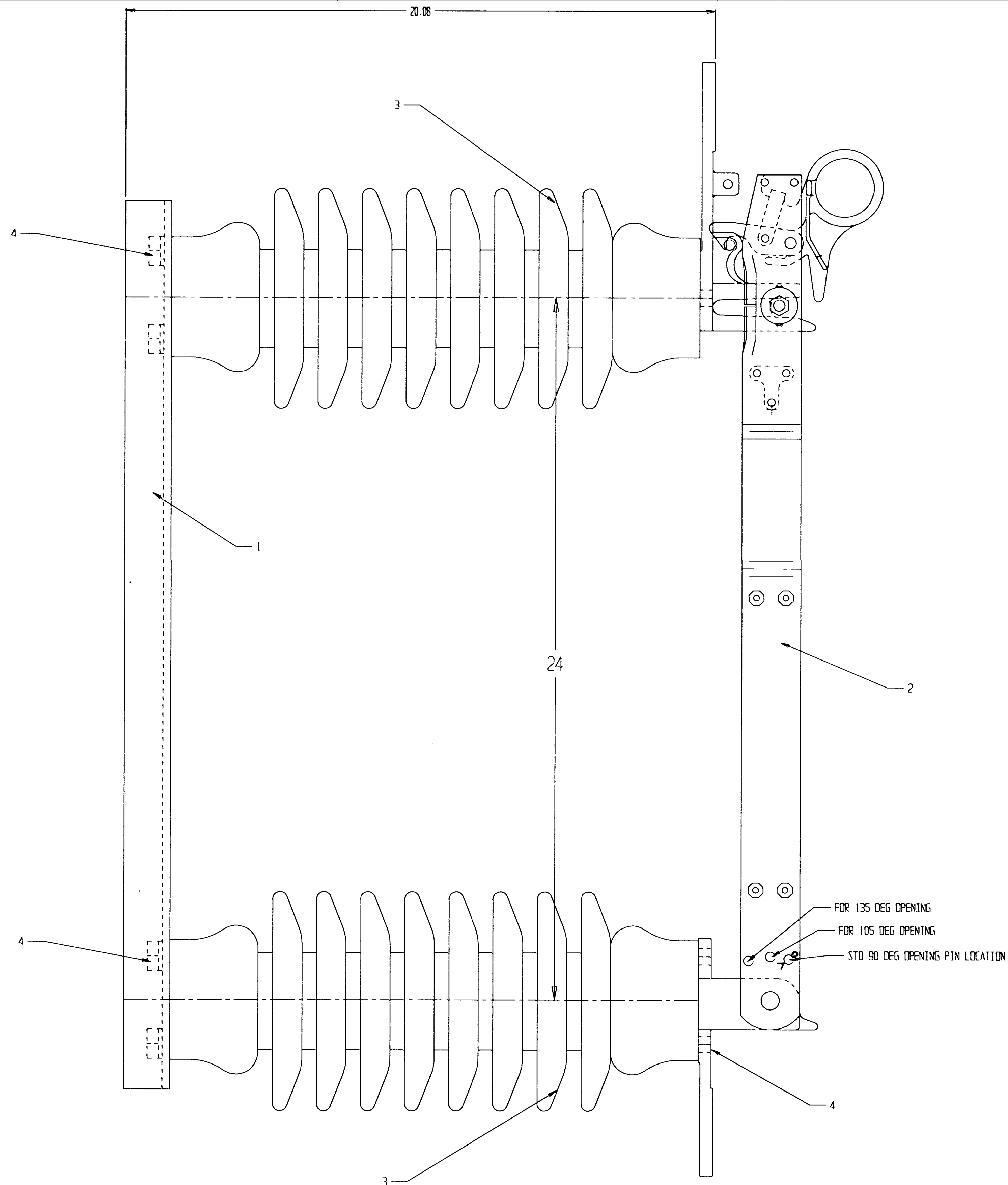


NOTES: 1. THE INSULATORS ARE SHOWN FOR HORIZONTAL AND VERTICAL MOUNTING
 2. THE INSULATORS ARE INVERTED FOR UNDER-HUNG MOUNTING.



NOTES: 1. FOR CORRECT CONTACT PRESSURE ON CLIP, ADJUST BLADES SO THEY ARE $.013 \pm .004$ " WIDER IN THE CLOSED POSITION THAN IN THE OPEN POSITION. THIS DIMENSION MUST BE MEASURED ON THE OUTSIDE OF THE BLADES, ABOVE CONTACT POINTS
 2. LUBRICATE CONTACT SURFACES PER SPEC

				14	
				13	
				12	
				11	
				10	
				9	
				8	
				7	
				6	DRIVE SCREW
		1	MP251800X	5	NAMEPLATE
		8		4	MACHINE BOLT 1/2"-13 X 1" N,L,W
		2		3	INSULATOR (TR210)
		1	A009605	2	CURRENT CARRYING PART ASSY
		1	011046SXG	1	MOUNTING BASE

QUANTITY	PART	MATERIAL	ITEM	DESCRIPTION
T/B:				
CUSTOMER P. O. #				
SERIAL NUMBER:				
REVISIONS	DATE	BY	MARK	34 KV
ADDED HOOKS	7-90		A	600 AMP
DESIGN TO CAL. KEY BLADE ESTABL. FOR 37%	10-8-02	MLR	B	
DRAWING #	BY	DATE		
SK831219	rsb	12-12-83		
SHEET 1 OF 1	APP'D BY	DATE		
	WSO	11-13-02		

BT2-34-6/6004
 HOOKSTICK SWITCH
 TURNER ELECTRIC CORPORATION
 FAIRVIEW HEIGHTS, IL., USA