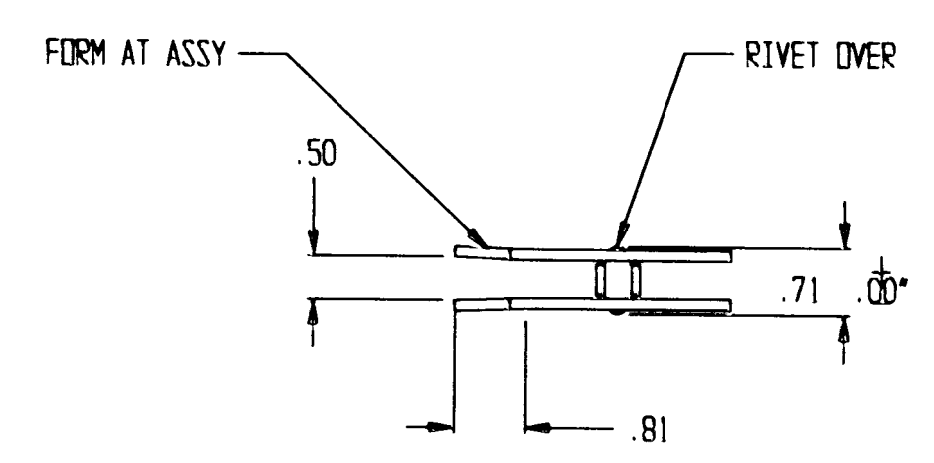
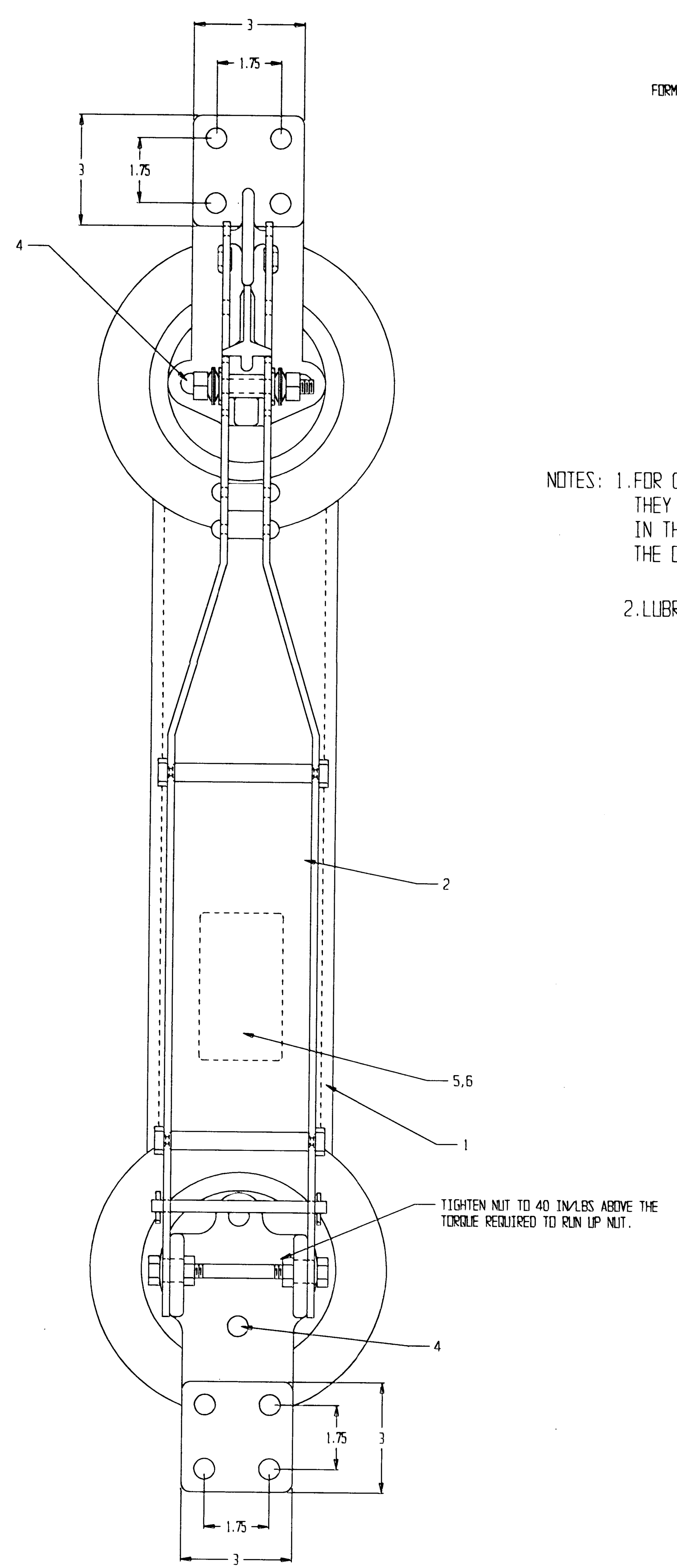
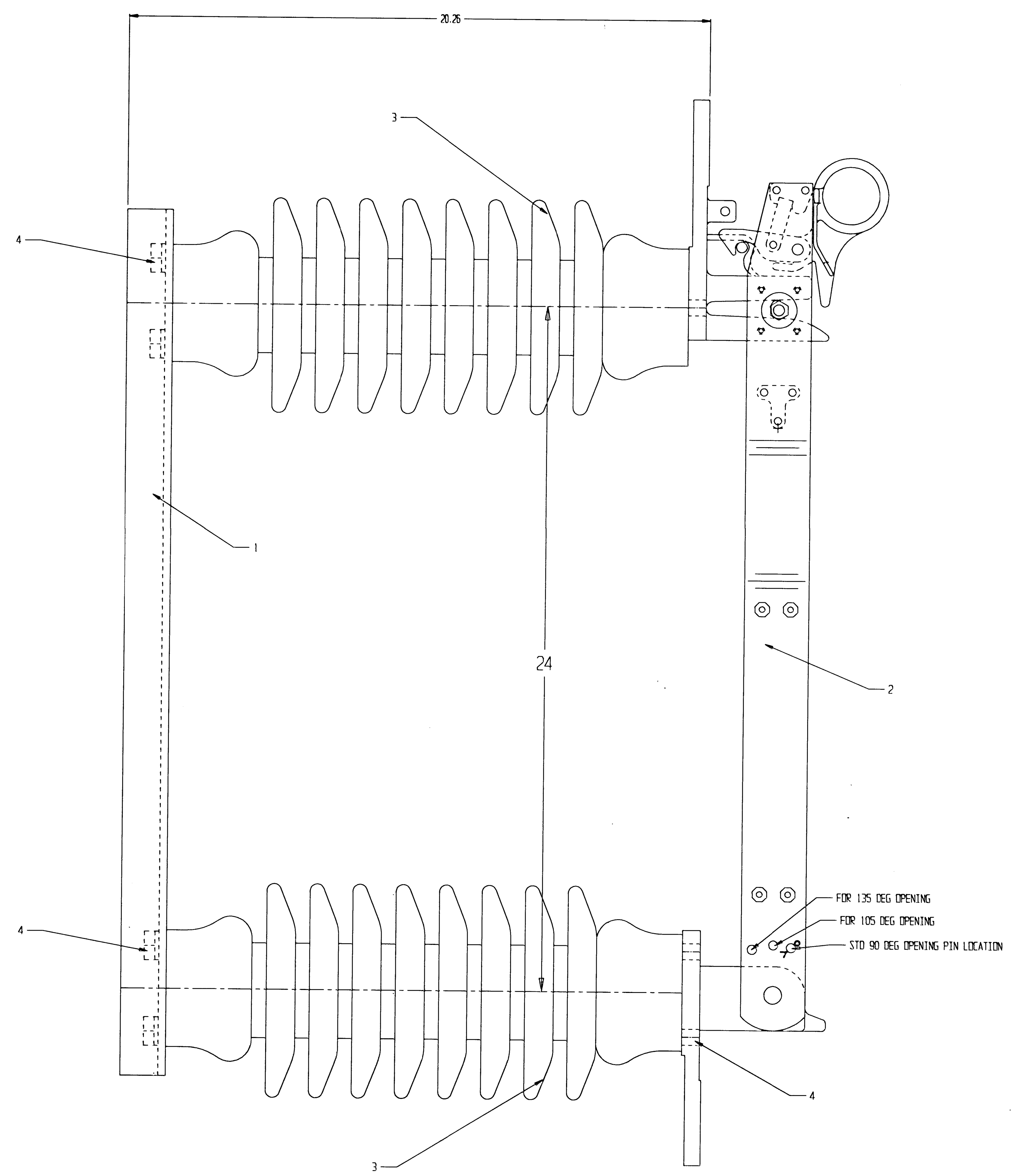


NOTES: 1. THE INSULATORS ARE SHOWN FOR HORIZONTAL AND VERTICAL MOUNTING
 2. THE INSULATORS ARE INVERTED FOR UNDER-HUNG MOUNTING.



NOTES: 1. FOR CORRECT CONTACT PRESSURE ON CLIP, ADJUST BLADES SO THEY ARE .013 ~~.004~~ WIDER IN THE CLOSED POSITION THAN IN THE OPEN POSITION. THIS DIMENSION MUST BE MEASURED ON THE OUTSIDE OF THE BLADES, ABOVE CONTACT POINTS
 2. LUBRICATE CONTACT SURFACES PER SPEC

				14	
				13	
				12	
				11	
				10	
				9	
				8	
				7	
				6	DRIVE SCREW
				5	NAMEPLATE
				4	MACHINE BOLT 1/2"-13 X 1" N, LW
				3	INSULATOR (TR 210)
				2	CURRENT CARRYING PART ASSY
				1	MOUNTING BASE

QUANTITY	PART	MATERIAL	ITEM	DESCRIPTION
				TO:
				CUSTOMER P. D. #
				SERIAL NUMBER:
				34 KV
				1200 AMP
				BT2-34-12/6005
				HOOKESTICK SWITCH
				TURNER ELECTRIC CORPORATION
				FAIRVIEW HEIGHTS, IL., USA

REVISIONS	DATE	BY	MARK
ADDED HOOKS	7-90		A
REDRAWN TO CAD. REV BLADE DETAIL: GEN 3276	10-9-02	MJR	B

DRAWING #	BY	DATE
SK831215	TSB	12-12-83
SHEET 1 OF 1	WSS	11-13-02