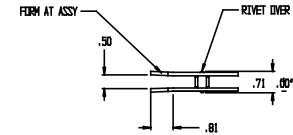
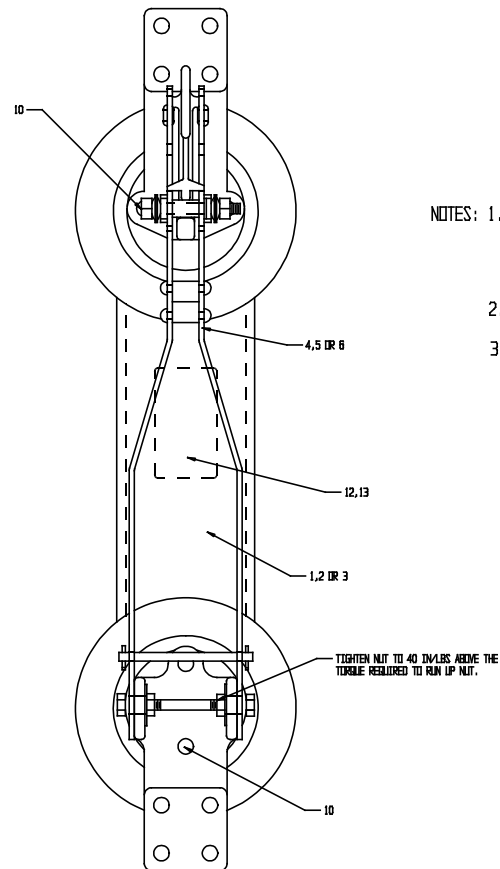
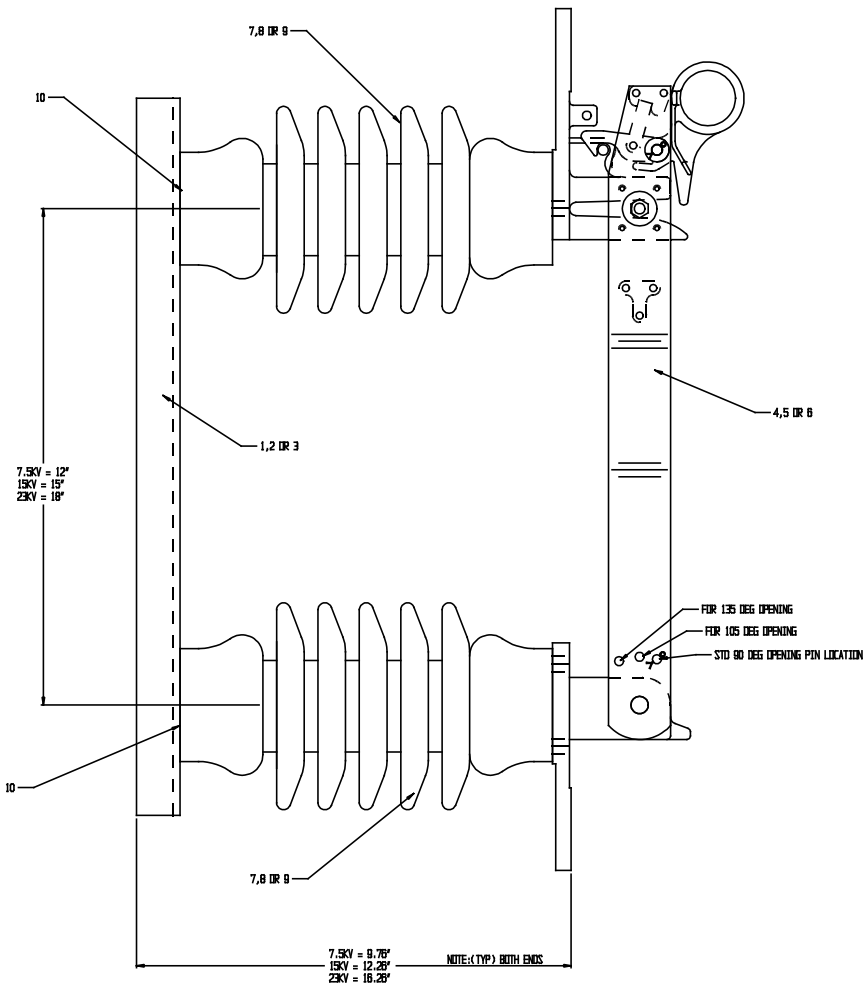


NOTES: 1. THE INSULATORS ARE SHOWN FOR HORIZONTAL AND VERTICAL MOUNTING.
 2. THE INSULATORS ARE INVERTED FOR UNDER-HUNG MOUNTING.



NOTES: 1. FOR CORRECT CONTACT PRESSURE ON CLIP, ADJUST BLADES SO THEY ARE $.013 \pm .004$ WIDER IN THE CLOSED POSITION THAN IN THE OPEN POSITION. THIS DIMENSION MUST BE MEASURED ON THE OUTSIDE OF THE BLADES, ABOVE CONTACT POINTS
 2. LUBRICATE CONTACT SURFACES PER SPEC
 3. STANDARD MTGS: 7.5KV = 2" X 18", 15KV = 2" X 21", 23KV = 2" X 24" BASES ARE GALV STEEL.

	-	-	-	14	-
	4	4	4	-	13 DRIVE SCREW
	1	1	1	MP251800X	ALUM 12 NAMEPLATE
	-	-	-	-	11 -
	8	8	8	-	GALV 10 MACHINE BOLT 1/2-13 X 1" N,LW
	2	-	-	-	9 INSULATOR TR208
	-	2	-	-	8 INSULATOR TR205
	-	2	-	-	7 INSULATOR TR202
	1	-	-	A009608	6 23KV CURRENT CARRYING PARTS ASSY
	-	1	-	A009607	5 15KV CURRENT CARRYING PARTS ASSY
	-	-	1	A009606	4 7.5KV CURRENT CARRYING PARTS ASSY
	1	-	-	086416SXG	GALV 3 MOUNTING BASE 23 KV
	-	1	-	086415SXG	GALV 2 MOUNTING BASE 15 KV
	-	-	1	086414SXG	GALV 1 MOUNTING BASE 7.5 KV
QUANTITY	PART	MATERIAL	ITEM	DESCRIPTION	
TITLE:					
CUSTOMER P.O.#					
SERIAL NUMBER:					
23 KV	15 KV	7.5 KV			
REVISIONS	DATE	BY	CHK	REV	APP
REV BLADE DETAIL, ESN 3276	10-10-02	KLR	A		1200
DRAWING #				BT2 HOOKSTICK SWITCH	
D-82002-2				7.5, 15 OR 23 KV RATINGS	
SHEET 1 OF 1				TURNER ELECTRIC CORPORATION	
				FAIRVIEW HEIGHTS, IL., USA	